



Specification Sheet

Élan-08R-720-DV Drop-In Underfloor Air Terminal (Variable Volume)

Description

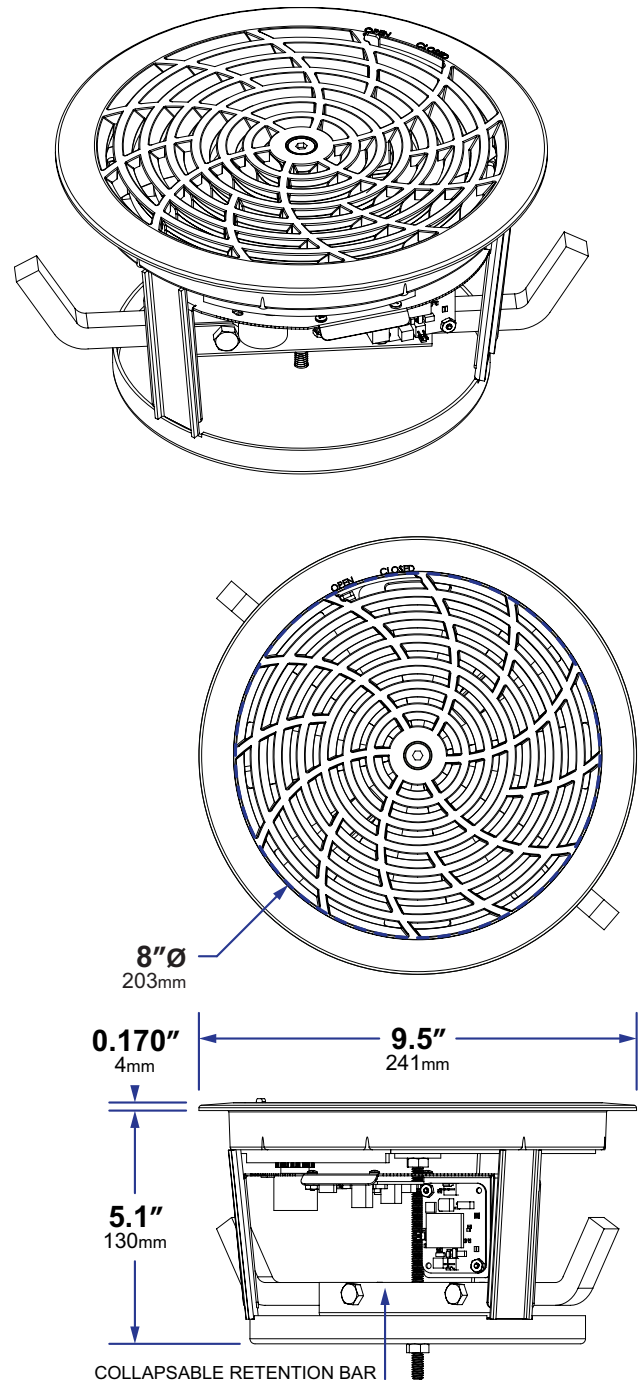
Élan-08R-720-DV (Thermostatically Controlled VAV Personal Comfort Diffuser) is a variable volume air terminal for use in raised floor air systems. It features an 18 gauge (1.3mm) galvanized steel catch pan assembly, with all interior features pre-painted flat black.

The nominal 8" (203mm) diameter cast aluminum grille produces 360 degree omni-directional mixing air flow. An additional manually adjustable sliding damper allows occupants to limit maximum air flow. Ten (10) standard powder coat colors are available; custom colors and finishes can be provided to match architectural design (specify on order).

The Élan-08R-720-DV works with thermostatic control to vary total air delivered to a conditioned space in response to a 0–10V cooling signal. The damper is rated for 24VAC operation; up to fourteen (14) units are supported in chain by a single 95VA power module.

Features

- VAV damper designed for ultra low power consumption
- Fully motorized diffuser plate moves in response to changes in temperature
- User-controlled manual damper for true personal comfort, independent of thermostatic control
- Connect up to 14 diffusers to a single 95VA power module
- One (1) 25' (7.6m) plug and play cable included
- Parts and labor warranty covers 5 years of operation in a standard office application
- Ships fully assembled; quick, easy & efficient installation



ALL DIMENSIONS NOMINAL +/- 0.1" (2.5mm)

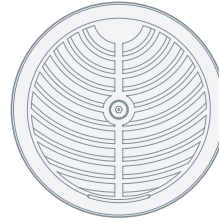
Specification Sheet

Élan-08R-720-DV Drop-In Underfloor Air Terminal (Variable Volume)

Alternate Diffuser Configurations



Uni-Directional
Desktop Mixing
(Élan-04R-180)



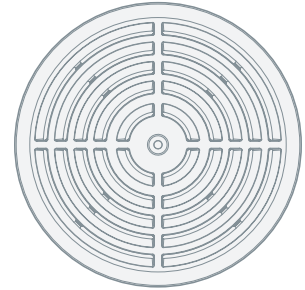
Uni-Directional
Displacement
(Élan-06R-180)



Uni-Directional
Mixing
(Élan-08R-180)



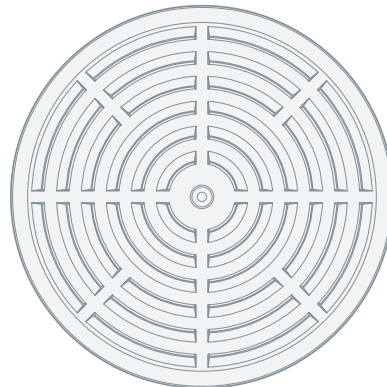
Omni-Directional
Mixing
(Élan-08R-360)



Omni-Directional
Displacement
(PDD-08R)



Omni-Directional
10" Mixing
(Élan-10R-360)



Omni-Directional
10" Displacement
(PDD-10R)

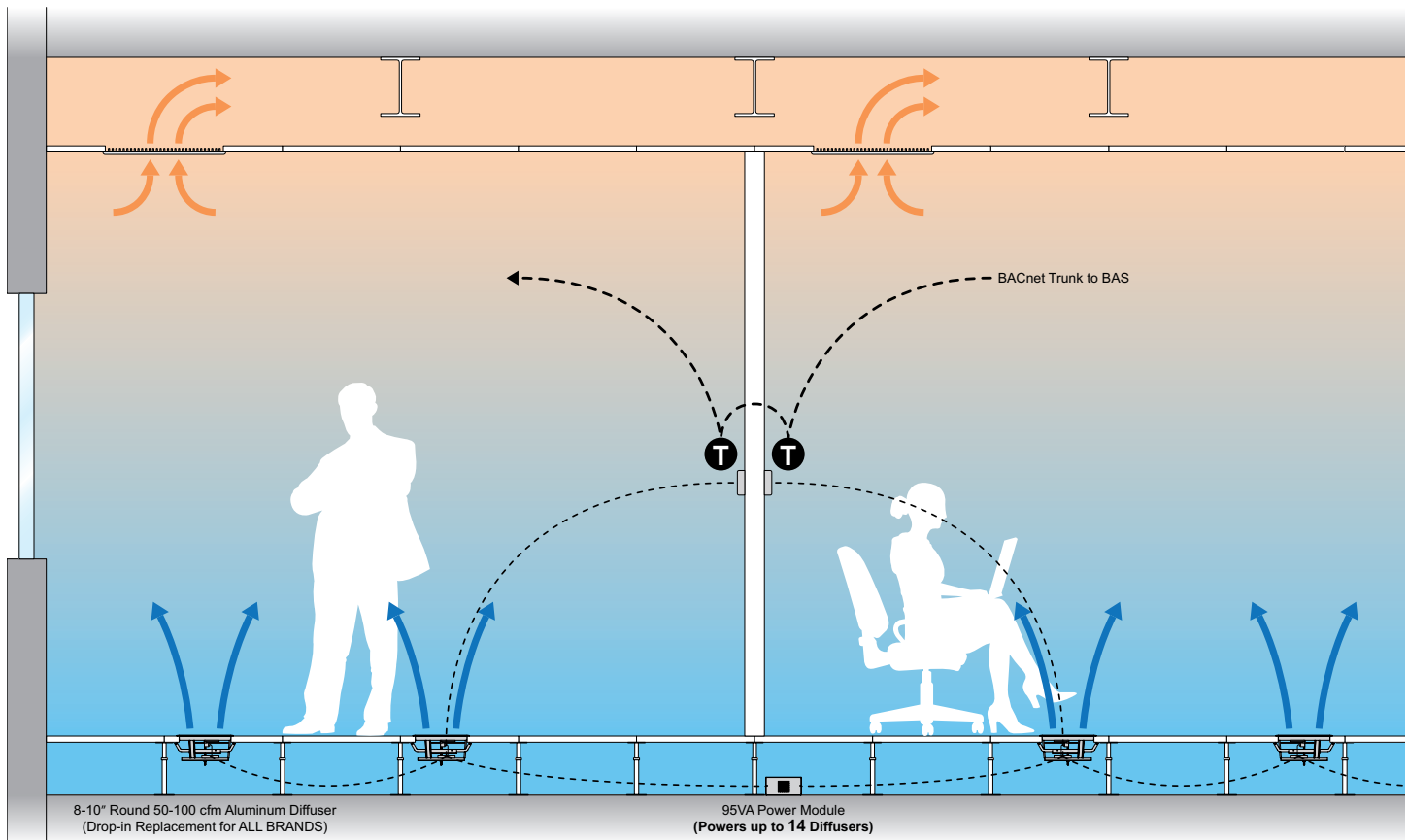


Specification Sheet

Élan-08R-720-DV Drop-In Underfloor Air Terminal (Variable Volume)

Example System Layout

Cooling-Only with Wired Controls and Power



Specifications

Application:	Drop-In Underfloor VAV Cooling Raised Access Floor Systems 6" (152mm) +
Grille Dimensions:	Diffuser Opening: 8"Ø (203mm) Full Face: 9.5"Ø (241mm)
Diameter (Nominal)	Installation Cut-Out: 8.6875"Ø [+1.125/-0.00] (221mm [+3.175/-0.00])
Grille Rating:	Cast Aluminum Conforms to NFPA 90a 1250 lbs. (567 Kg) Load Strength
Supply Press. / Temp.:	0.02–0.1 in. w.c. (5–25 Pa) 40–140°F (4–60°C)
Capacity:	Maximum: 81 cfm @ 0.05 in. w.c. (138 m ³ /hr @ 12.5 Pa)
(Nominal)	Minimum (Damper Closed): 7 cfm @ 0.05 in. w.c. (12 m ³ /hr @ 12.5 Pa)
Noise Criterion:	≤ NC-17 (All Flow Conditions)