



## Specification Sheet

# LMIT3-CHW Wall Mounted Diffuser Terminal (Variable Volume)

### Description

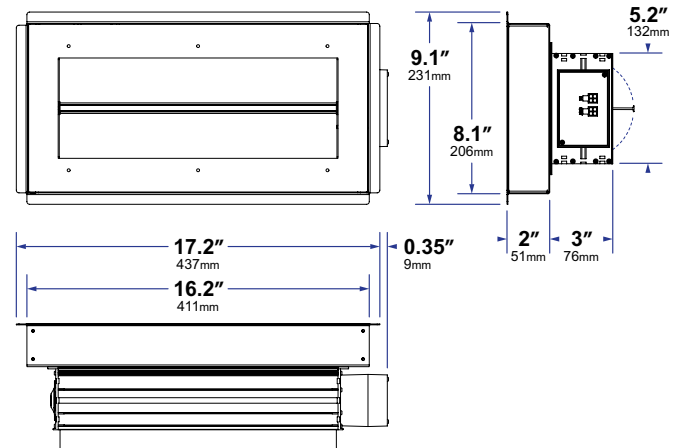
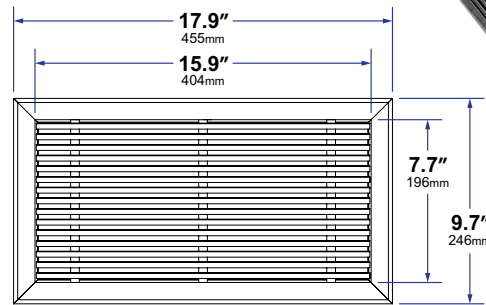
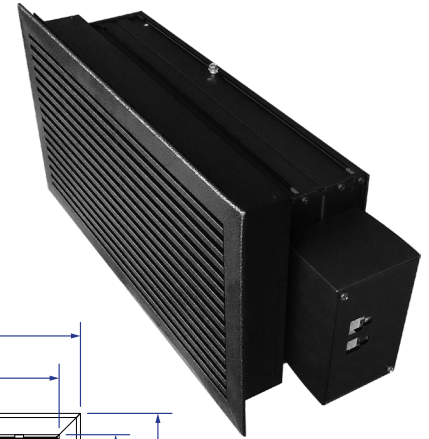
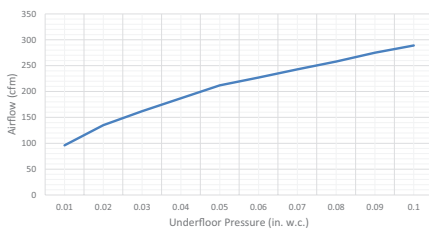
**LMIT3-CHW (Linear Modular Integrated Terminal)** is a variable volume diffuser for use in wall-mounted applications. The terminal features 20 gauge (1mm) galvanized steel construction, pre-painted flat black.

The air valve uses time modulation to vary total air supplied to a conditioned space. Air velocity is constant any time the valve is open; the short time duration between open/close cycles produces the effect of continuous air delivered to the occupied space. It is rated for 24V (18-30VAC) operation; one (1) plug & play cable is included.

The nominal 16" x 8" (406mm x 203mm) extruded aluminum diffuser grille produces mixing air flow at a 15° deflection. Ten (10) standard grille colors are available; custom colors and finishes can be provided to match architectural design (specify on order).

### Features

- Recessed vertical wall-mounted installation
- Robust extruded aluminum linear grille
- Riveted pre-painted galvanized steel
- DC synchronized magnetic motor
- Multi-function circuit board for varying control strategies



ALL DIMENSIONS NOMINAL +/- 0.1" (2.5mm)

### Specifications

<b>Application:</b>	Vertical Wall-Mounted Cooling   Recessed Perimeter Wall Installation
<b>Grille Dimensions:</b>	Diffuser Opening: 15.9" x 7.7" (404mm x 196mm)   Full Face: 17.9" x 9.7" (455mm x 246mm)
<b>LxW (Nominal)</b>	Installation Cut-Out: 16.5" x 8.3125" [+1.125/-0.00] (419mm x 211mm [+3.175/-0.00])
<b>Grille Rating:</b>	Extruded Aluminum   Conforms to NFPA 90a   1250 lbs. (567 Kg) Load Strength
<b>Supply Press. / Temp.:</b>	0.02–0.1 in. w.c. (5–25 Pa)   40–140°F (4–60°C)
<b>Capacity (Nominal):</b>	215 cfm @ 0.05 in. w.c. (366 m <sup>3</sup> /hr @ 12.5 Pa)
<b>Noise Criterion:</b>	≤ NC-17 (All Flow Conditions)