



## Specification Sheet

# MIT3-AN Underfloor Air Diffuser Terminal (Constant Volume)

### Description

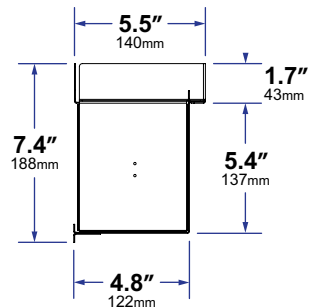
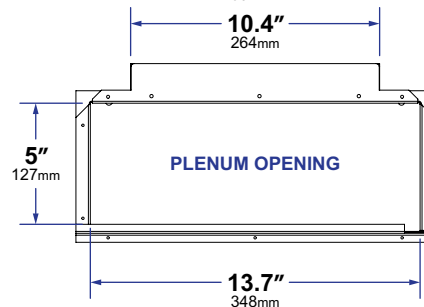
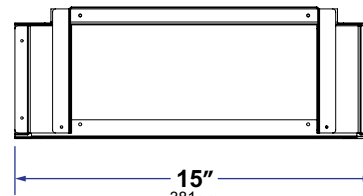
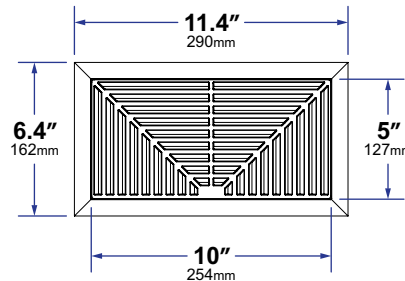
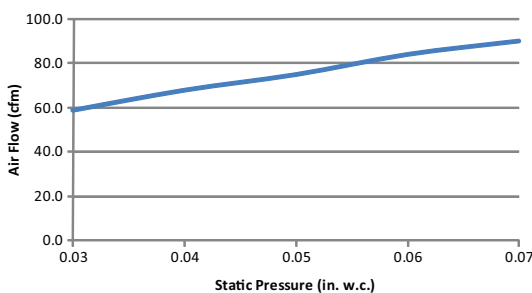
**MIT3-AN (Modular Integrated Terminal)** is a constant volume diffuser for use in raised floor air systems. The underfloor terminal features 20 gauge (1mm) galvanized steel construction, pre-painted flat black. A 13.7" x 5" (348mm x 127mm) opening permits air flow from the underfloor plenum.

The nominal 10" x 5" (254mm x 127mm) cast aluminum diffuser grille includes a removable insert, which can be reversed to change air throw direction. Ten (10) standard colors are available; custom colors and finishes can be provided to match architectural design (specify on order).



### Features

- Narrow design for limited space and minimal aesthetic applications
- Robust cast aluminum grille frame
- Riveted pre-painted galvanized steel
- Adjustable air flow direction via reversible grille insert



ALL DIMENSIONS NOMINAL +/- 0.1" (2.5mm)

### Specifications

<b>Application:</b>	Underfloor Cooling   Raised Access Floors 8" (203mm) +
<b>Grille Dimensions:</b>	Diffuser Opening: 10" x 5" (254mm x 127mm)   Full Face: 11.4" x 6.4" (290mm x 162mm)
<b>LxW (Nominal)</b>	Installation Cut-Out: 10.5" x 5.5" [+1.125/-0.00] (267mm x 140mm [+3.175/-0.00])
<b>Grille Rating:</b>	Cast Aluminum   Conforms to NFPA 90a   1250 lbs. (567 Kg) Load Strength
<b>Supply Press. / Temp.:</b>	0.02–0.1 in. w.c. (5–25 Pa)   40–120°F (4–49°C)
<b>Capacity (Nominal Max):</b>	75 cfm @ 0.05 in. w.c. (128 m <sup>3</sup> /hr @ 12.5 Pa)
<b>Noise Criterion:</b>	≤ NC-17 (All Flow Conditions)