

## FlexSys Underfloor Air Distribution Terminal

**Model: CLMIT**

### TOOLS REQUIRED:

1. Power Screwdriver
  - Phillips #3 Bit - floor panel screws
2. Panel Lifter (Suction Cups) - remove floor panels
3. Jigsaw - cut floor panels (if required)
4. Carpet Knife - trim carpet tile / floor covering (if required)

### MATERIALS REQUIRED:

1. CLMIT Underfloor Air Distribution Terminal
2. Plug & Play Cables (if unit includes air valves)
3. Insulated Flex Duct with Duct Ties / Clamps (if unit includes duct connections)
4. Wall Support Angle
5. Floor Pedestals

### PREPARATION:

1. Verify that the CLMIT is the correct model, unit count and location(s) per scheduled placement.
2. Remove the floor covering / floor panels at the desired location(s) (if installed).
3. Verify correct quantity of floor pedestals / heads are available.
4. Verify that all adjacent floor panels are properly installed.



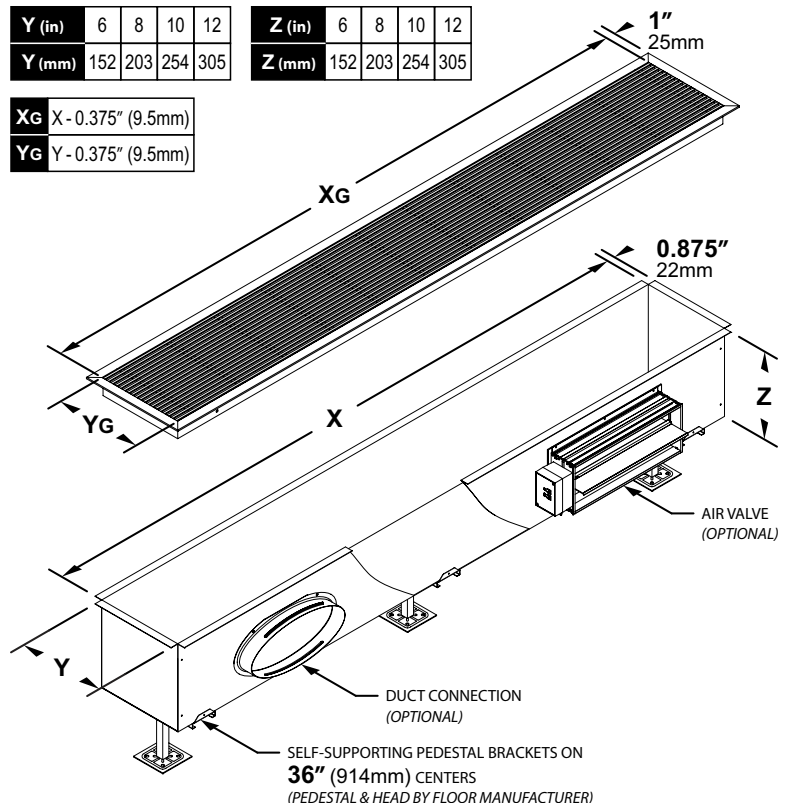
**IMPORTANT:** It is **HIGHLY RECOMMENDED** by the manufacturer that each zone be checked for faulty or improper wiring **DURING INSTALLATION**. Each zone should be tested thoroughly for full connectivity before proceeding with installation of the next zone. The manufacturer cannot be responsible for any improper installation as a result of failure to follow this procedure as outlined in the FlexSys Connectivity Testing Procedures.

ALL DIMENSIONS NOMINAL +/- 0.1" (2.5mm)

<b>X (in)</b>	36	48	60	72	84	96	108	120
<b>X (mm)</b>	914	1219	1524	1829	2134	2438	2743	3048

<b>Y (in)</b>	6	8	10	12	<b>Z (in)</b>	6	8	10	12
<b>Y (mm)</b>	152	203	254	305	<b>Z (mm)</b>	152	203	254	305

<b>Xg</b>	X - 0.375" (9.5mm)
<b>Yg</b>	Y - 0.375" (9.5mm)



**REFER TO PAGE 2 FOR ADDITIONAL INFORMATION:  
INSTALLATION / OPERATION / MAINTENANCE**

## FlexSys Underfloor Air Distribution Terminal

**Model: CLMIT**

**INSTALLATION:  
(PRIOR TO FLOOR INSTALLATION)**

1. Install wall support angle (provided) at finish floor height throughout perimeter where trough will be installed.
2. Trim adjacent floor tiles around installation location as required, based on outer dimension of CLMIT trough housing.
3. Position CLMIT unit against wall – rear trough flange will rest on wall support angle.
4. Slide floor pedestals under trough, into pre-installed pedestal brackets. Raise pedestals until tight against bottom of unit (this is for temporary support, and will be loosened later during installation).
5. Level unit – make sure it is secured and in correct position, to reduce possibility that injury and/or damage can occur.

**If air valves are NOT included, skip to Step 8.**

6. Connect CLMIT to designated VAV operational zone, using Plug & Play Cables connected to mox inputs located on end of air valves.
7. Confirm air valve operation – spin damper by hand to verify free movement. Incorrect routing of cables and/or other underfloor obstructions can interfere with operation.

**If duct connections are NOT included, skip to Step 9.**

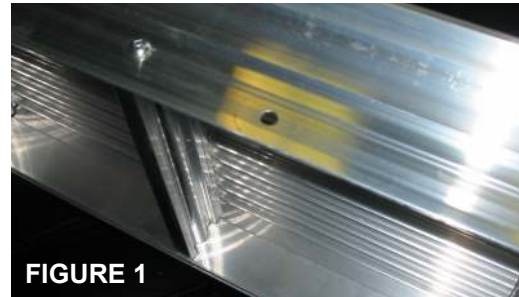
8. Route flex duct from designated air flow zone. Connect to ellipsoid collar on CLMIT terminal, and secure in place using duct ties / clamps.

**INSTALLATION:  
(AFTER FLOOR INSTALLATION):**

9. Install floor tiles around CLMIT. Once in place, they will help support unit from trough flanges.
10. When floor tiles adjacent to unit are installed, loosen pedestal heads so they “just touch” bottom of unit. This will seal trough flanges against wall support angle and floor tiles when weight is applied from linear grille.
11. Verify that carpet is installed over CLMIT trough mounting flanges.
12. Install linear grille.

**FOR DIRECTIONAL GRILLES ONLY:**

Locate positioning hole drilled on ONE SIDE of grille frame (FIGURE 1). Position grille so that this hole faces into room, away from perimeter.



**FIGURE 1**

**OPERATION:**

Once installed, the CLMIT requires no direct input or adjustment for proper operation.

**MAINTENANCE:**

Once installed, the CLMIT requires no regular service or maintenance for proper operation.

**REFER TO PAGE 3 FOR ADDITIONAL INFORMATION:  
TYPICAL INSTALLATION DETAIL**

## FlexSys Underfloor Air Distribution Terminal

Model:

**CLMIT**

### TYPICAL INSTALLATION DETAIL:

1. Formed Wall Angle supplied by Manufacturer.  
Installation by flooring trades (typical).
2. Pedestal Support Brackets factory installed on 36"  
(914mm) centers (typical).
3. Support Pedestals supplied by Manufacturer and  
installed by flooring trades (typical).

