



Underfloor Grille Options

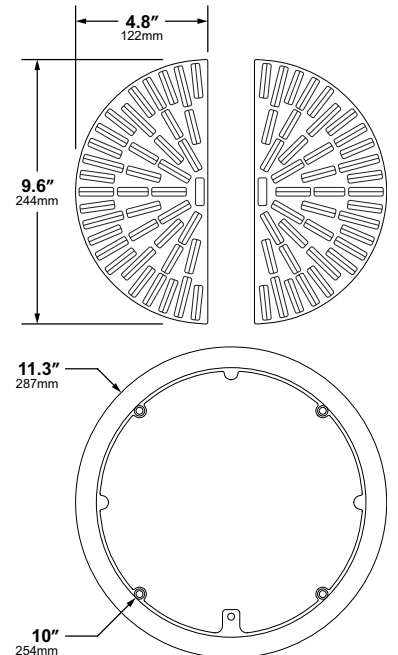
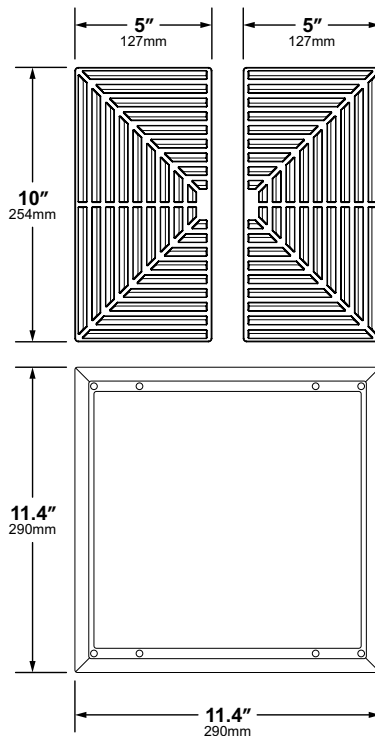
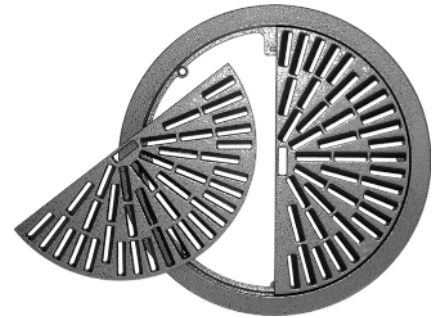
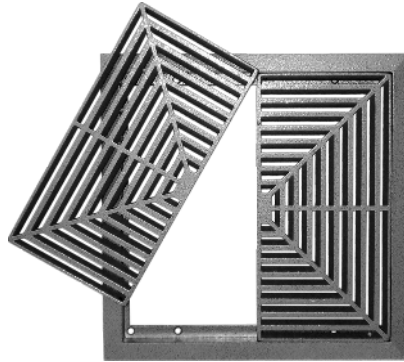
MODEL:

3-Piece Floor Grilles (AMIT3)

DESCRIPTION:

AirFixture 3-Piece Grilles (AMIT3) sets are aluminum with a 1250 lb. (567 Kg) force rating. The grilles are capable of multiple air flow patterns by simply moving the inserts to different configurations within the trim ring. This option is available for both the round and square grille sets.

Grilles are typically powder coated, with other finish options available. Ten (10) standard colors are available; custom colors can be provided to match architectural design (specify on order).



ALL DIMENSIONS
NOMINAL +/- 0.1" (2.5mm)

SPECIFICATIONS:

- Application:** AirFixture MIT Generation III Terminals | Raised Access Floor Systems
- Grille Rating:** Cast Aluminum | Conforms to NFPA 90a | 1250 lbs. (567 Kg) Load Strength
- Grille Dimensions (Nominal)**
 - Square (LxW):** Diffuser: 10" x 10" (254mm x 254mm) | Face: 11.4" x 11.4" (290mm x 290mm)
 - Round (Diameter):** Diffuser: 10"Ø (254mm) | Face: 11.3"Ø (287mm)