



Underfloor Air Terminal (Variable Volume)

MODEL:

AMIT3 - GR

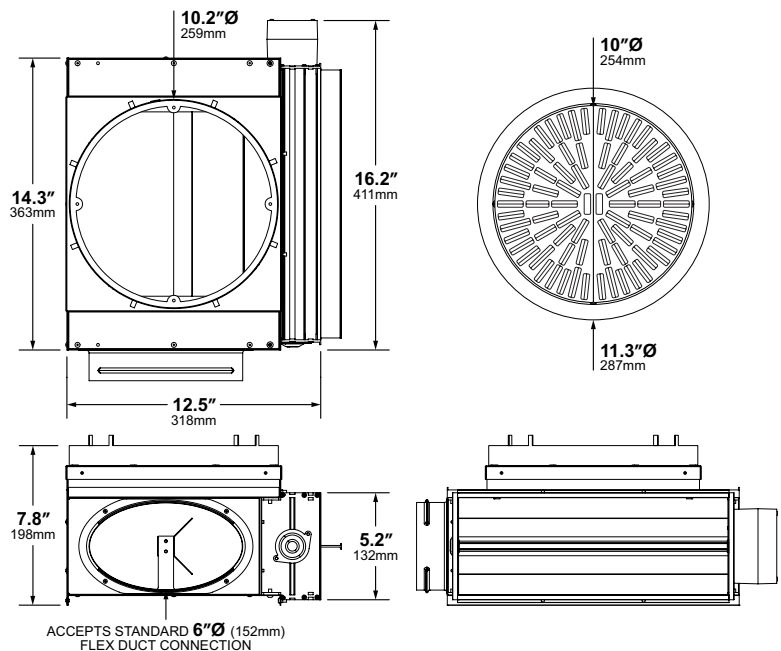
DESCRIPTION:

AMIT3-GR (Modular Integrated Terminal) is a variable volume air terminal for use in raised floor air systems. It features 20 gauge (1mm) galvanized steel construction, pre-painted flat black.

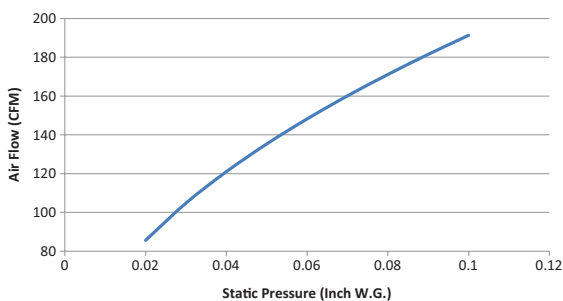
The air valve uses time modulation to vary total air delivered to a conditioned space. Air velocity is constant any time the valve is open; the short time duration between air pulses results in a sensation of continuous air delivered with consistent flow. The air valve is rated for 24V (18-30VAC) operation. One (1) PAP-1 Plug & Play Cable is included.

The ellipsoid collar accepts a standard 6"Ø (152mm) flex duct connection. Heating air flow capacity is derived from the source; output is dependent on ducting arrangement and fan capability.

The nominal 10" (254mm) diameter cast aluminum grille includes two separate inserts, which can be configured to create alternate air throw patterns. Ten (10) standard colors are available; custom colors and finishes can be provided to match architectural design (specify on order).



ALL DIMENSIONS NOMINAL +/- 0.1" (2.5mm)



SPECIFICATIONS:

Application:	Underfloor Heating / Cooling Raised Access Floors 8" (203mm) +
Grille Dimensions:	Diffuser: 10"Ø (254mm) Face: 11.3"Ø (287mm)
Diameter (Nominal)	Floor Tile Cut-Out: 10.25"Ø [+1.25/-0.00] (260mm [+3.175/-0.00])
Grille Rating:	Cast Aluminum Conforms to NFPA 90a 1250 lbs. (567 Kg) Load Strength
Supply Press. / Temp.:	0.02–0.1 in. H ₂ O (5–25 Pa) 40–120°F (4–49°C)
Capacity:	130 cfm @ 0.05 in. H ₂ O (221 m ³ /hr @ 12.5 Pa)
(Nominal)	Heat Dependant on Duct Supply Conditions Flex Duct Connection: 6"Ø (152mm)
Noise Criterion:	≤ NC-17 (All Flow Conditions)

Underfloor Air Terminal (Variable Volume)

MODEL:

AMIT3 - GR



FIGURE A

- Both Grille Inserts show the flair/angled opening facing UP

AIR FLOW = REDUCED

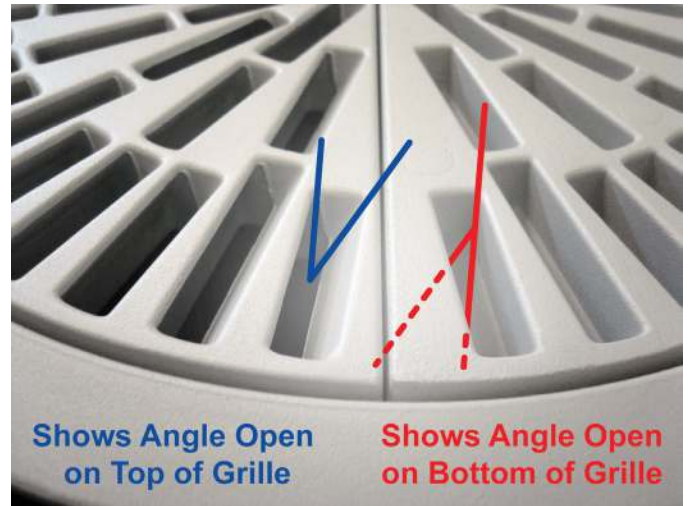


FIGURE B

- Left Side of the Grille Insert shows the flair/angled opening facing UP; Right Side of the Grille Insert shows the flair/angled opening facing DOWN

– OR –

- Both Grille Inserts show the flair/angled opening facing DOWN

**With the Grille Inserts in either of these positions:
AIR FLOW = INCREASED**