



Underfloor Air Terminal (Variable Volume)

MODEL:

APCD - 08RVAV - G

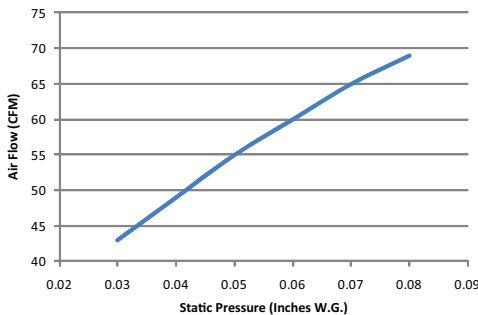
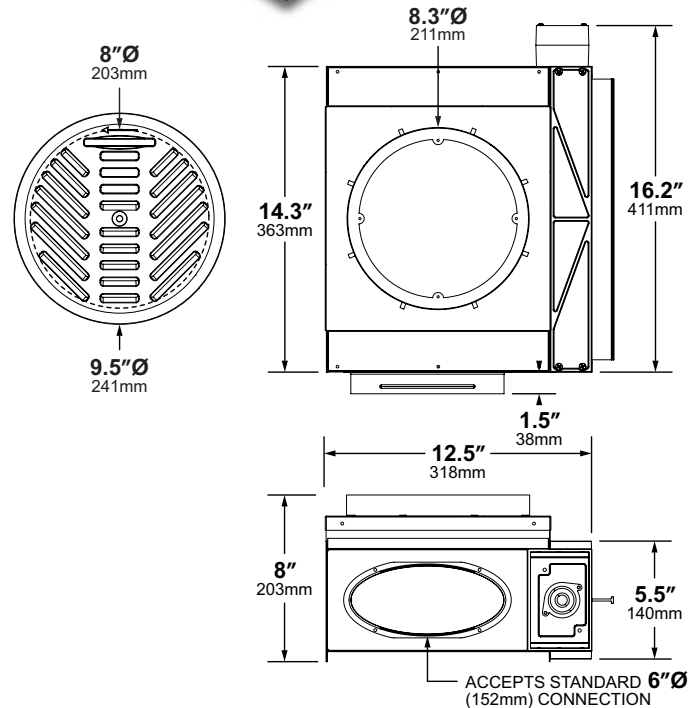
DESCRIPTION:

APCD-08RVAV-G (Personal Comfort Diffuser) is a variable volume air terminal for use in raised floor air systems. It features 20 gauge (1mm) galvanized steel construction, pre-painted flat black.

The air valve uses time modulation to vary total air delivered to a conditioned space. Air velocity is constant any time the valve is open; the short time duration between air pulses results in a sensation of continuous air delivered with consistent flow. The air valve is rated for 24V (18-30VAC) operation. One (1) PAP-1 Plug & Play Cable is included.

The ellipsoid collar accepts a standard 6"Ø (152mm) flex duct connection. Heating air flow capacity is derived from the source; output is dependent on ducting arrangement and fan capability.

The nominal 8" (203mm) diameter cast aluminum grille produces uni-directional air flow. A manually adjustable sliding damper allows space occupants to limit air flow. Ten (10) standard colors are available; custom colors and finishes can be provided to match architectural design (specify on order).



ALL DIMENSIONS NOMINAL +/- 0.1" (2.5mm)

SPECIFICATIONS:

Application:	Underfloor Heating / Cooling Raised Access Floors 8" (203mm) +
Grille Dimensions:	Diffuser: 8"Ø (203mm) Face: 9.5"Ø (241mm)
Diameter (Nominal)	Floor Tile Cut-Out: 8.4375"Ø [+1.125/-0.00] (214mm [+3.175/-0.00])
Grille Rating:	Cast Aluminum Conforms to NFPA 90a 1250 lbs. (567 Kg) Load Strength
Supply Press. / Temp.:	0.02–0.1 in. H ₂ O (5–25 Pa) 40–110°F (4–43°C)
Capacity:	Maximum: 55 cfm @ 0.05 in. H ₂ O (94 m ³ /hr @ 12.5 Pa)
(Nominal)	Minimum (Damper Closed): 14 cfm @ 0.05 in. H ₂ O (24 m ³ /hr @ 12.5 Pa)
	Heat Dependant on Duct Supply Conditions Duct Connection: 6"Ø (152mm)
Noise Criterion:	≤ NC-17 (All Flow Conditions)