



Underfloor Air Terminal (Constant Volume)

MODEL: APCD - 08R

DESCRIPTION:

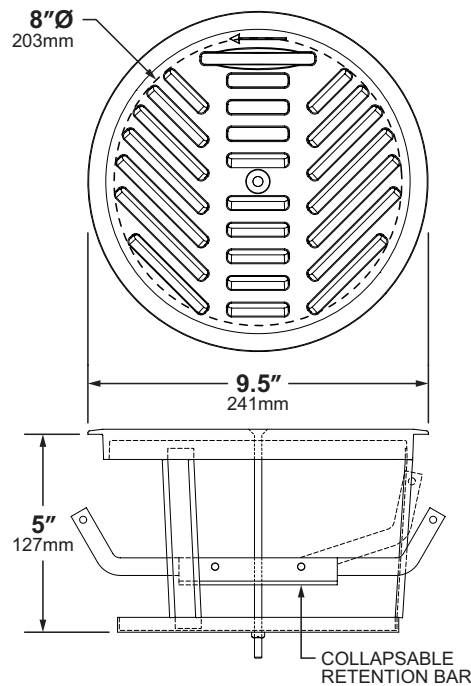
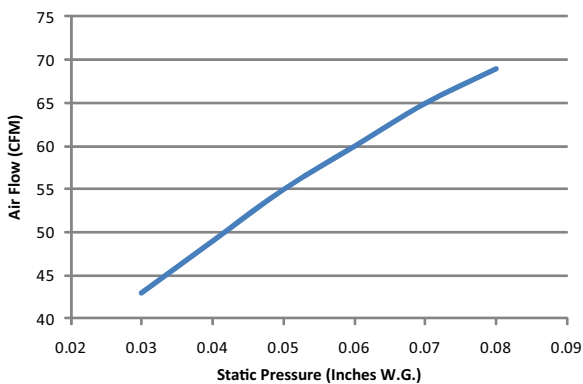
APCD-08R (Personal Comfort Diffuser) is an adjustable constant volume air terminal for use in raised floor air systems. It features an 18 gauge (1.3mm) galvanized steel catch pan assembly, pre-painted flat black.

The nominal 8" (203mm) diameter cast aluminum grille produces uni-directional air flow. A manually adjustable sliding damper allows space occupants to limit air flow. Ten (10) standard grille colors are available; custom colors and finishes can be provided to match architectural design (specify on order).



FEATURES:

- Ships fully assembled; installation in seconds
- Manual air flow adjustment with sliding damper
- Redirect air flow by rotating grille
- Durability (as strong as the floor)
- Non-binding flow adjustment
- No "clear area" required
- Tight shut-off



ALL DIMENSIONS NOMINAL +/- 0.1" (2.5mm)

SPECIFICATIONS:

Application:	Underfloor Cooling Raised Access Floors 6" (152mm) +
Grille Dimensions:	Diffuser: 8"Ø (203mm) Face: 9.5"Ø (241mm)
Diameter (Nominal)	Floor Tile Cut-Out: 8.3125"Ø [+1.125/-0.00] (211mm [+3.175/-0.00])
Grille Rating:	Cast Aluminum Conforms to NFPA 90a 1250 lbs. (567 Kg) Load Strength
Supply Press. / Temp.:	0.02–0.1 in. H ₂ O (5–25 Pa) 40–110°F (4–43°C)
Capacity:	Maximum: 55 cfm @ 0.05 in. H ₂ O (94 m ³ /hr @ 12.5 Pa)
(Nominal)	Minimum (Damper Closed): 14 cfm @ 0.05 in. H ₂ O (24 m ³ /hr @ 12.5 Pa)
Noise Criterion:	≤ NC-17 (All Flow Conditions)