



Thermostat Zone Controller / LCD Touch Screen

MODEL:

ATEC - 3620

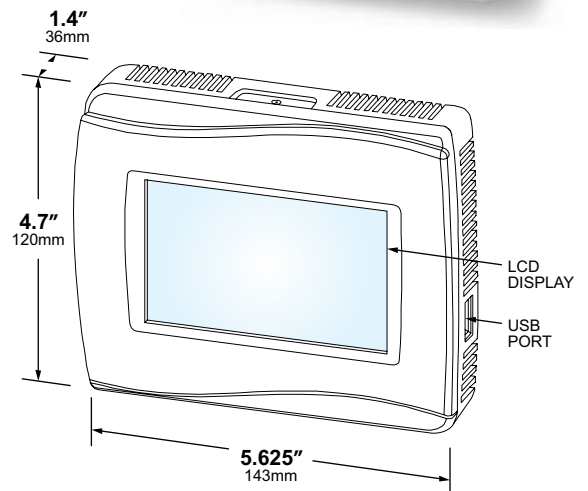
DESCRIPTION:

ATEC-3620 Series Thermostat Controller is a stand-alone and field-selectable BACnet® Master-Slave/Token-Passing (MS/TP) or N2 networked devices that provide proportional control of:

- Local hydronic reheat valves
- Pressure-dependent VAV equipment with or without local reheat
- Two (2) or four (4) pipe fan coils
- Cabinet unit heaters
- Other zoning equipment using 0–10 VDC proportional control input

The ATEC-3620 features a field-selectable Building Automation System (BAS) BACnet MS/TP or N2 communication capability that enables remote monitoring and programming for efficient space temperature control. A USB port configuration reduces installation time by allowing simple backup and restore features from a USB drive, which enables rapid cloning of configuration between like units.

The ATEC-3620 features an intuitive UI with backlit display that makes setup and operation quick and easy. One (1) PAP-7B Plug & Play Cable is included.



Two Configurable Binary Inputs	Provide additional inputs for advanced functions such as remote night setback, service or filter alarms, motion detector, and window status, and configures the application to respond accordingly.
Field-Selectable BACnet MS/TP or N2 Networked Communication	Simplifies the upgrade from N2 networked communication to BACnet MS/TP networked communication without changing hardware.
USB Port Configuration	Reduces installation time by allowing simple backup and restore features from a USB drive, which enables rapid cloning of configuration between like units.
Backlit Liquid Crystal Display (LCD)	Offers real-time control status of the environment in easy-to-read, plain text messages with adjustable backlight that brightens during user interaction.
Configurable Touch Screen UI	Allows facility managers to limit the user interaction with the thermostat controller display based on specific energy policies.
End-of-Line Switch	Simplifies the layout and installation of communication buses.
Mobile Access Portal (MAP) Gateway Compatibility (MAP Release 4.0 or Later)	Allows the user to view equipment and control conditions using mobile devices.
Stand-Alone and BACnet MS/TP or N2 Networked Models	Offers application flexibility.
Proportional 0–10 VDC and Single or Two-Stage Control	Offers additional application flexibility by providing more advanced control signals.