

Underfloor Air Terminal (Constant Volume)

MODEL: **Élan - 08R - 180**

DESCRIPTION:

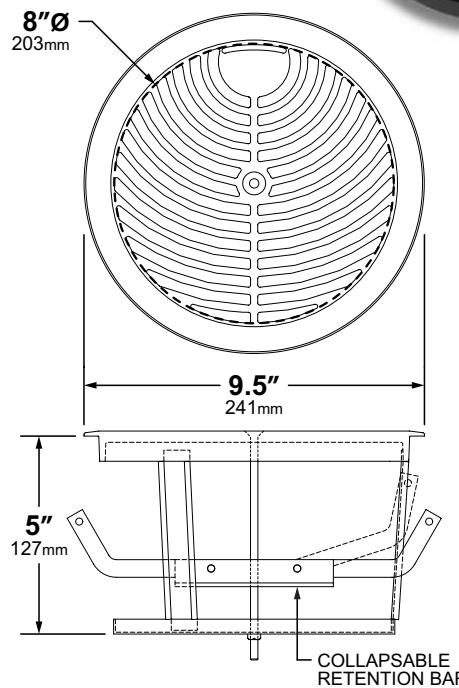
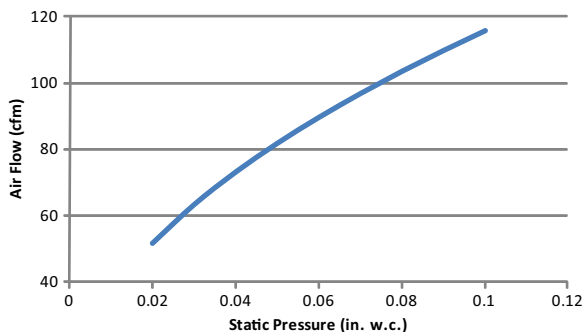
Élan-08R-180 (Personal Comfort Diffuser) is an adjustable constant volume air terminal for use in raised floor air systems. It features an 18 gauge (1.3mm) galvanized steel catch pan assembly, with all interior features pre-painted flat black.

The nominal 8" (203mm) diameter cast aluminum grille produces 180 degree uni-directional mixing air flow. A manually adjustable sliding damper allows space occupants to limit maximum air flow. Ten (10) standard grille colors are available; custom colors and finishes can be provided to match architectural design (specify on order).



FEATURES:

- Ships fully assembled; installation in seconds
- Manual air flow adjustment with sliding damper
- Redirect air flow by rotating grille
- Durability (as strong as the floor)
- Non-binding flow adjustment
- No "clear area" required
- Tight shut-off



ALL DIMENSIONS NOMINAL +/- 0.1" (2.5mm)

SPECIFICATIONS:

Application:	Underfloor Cooling Raised Access Floors 6" (152mm) +
Grille Dimensions:	Diffuser Opening: 8"Ø (203mm) Full Face: 9.5"Ø (241mm)
Diameter (Nominal)	Installation Cut-Out: 8.3125"Ø [+1.125/-0.00] (211mm [+3.175/-0.00])
Grille Rating:	Cast Aluminum Conforms to NFPA 90a 1250 lbs. (567 Kg) Load Strength
Supply Press. / Temp.:	0.02–0.1 in. w.c. (5–25 Pa) 40–140°F (4–60°C)
Capacity:	Maximum: 81 cfm @ 0.05 in. w.c. (138 m³/hr @ 12.5 Pa)
(Nominal)	Minimum (Damper Closed): 7 cfm @ 0.05 in. w.c. (12 m³/hr @ 12.5 Pa)
Noise Criterion:	≤ NC-17 (All Flow Conditions)