

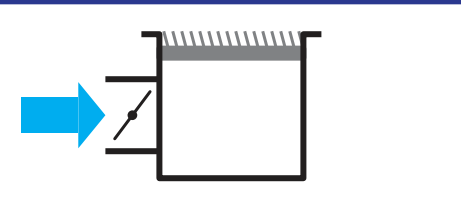
CONFIGURATION OPTIONS

AIR SUPPLY / RETURN OPTIONS

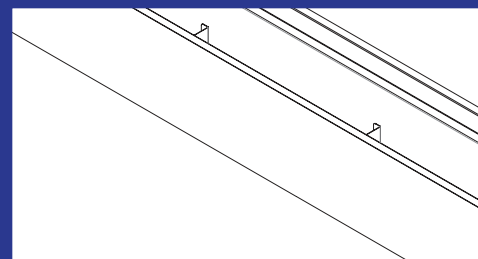
MOUNTING OPTIONS

LINEAR GRILLE OPTIONS

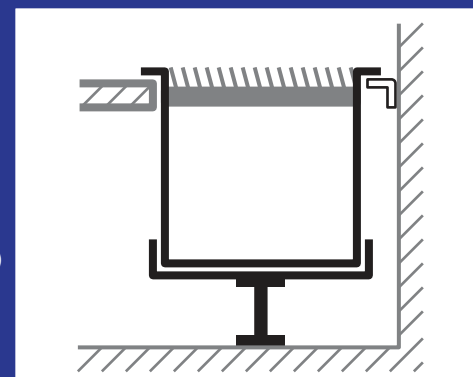
UFAD AIRWAY COOLING



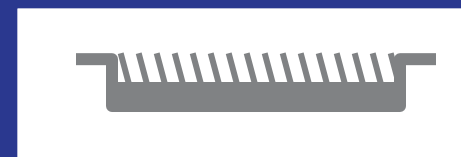
HEATING ONLY



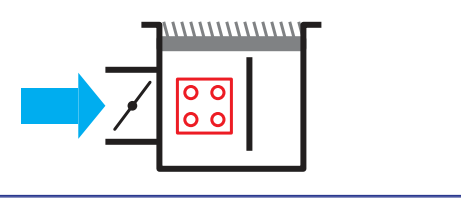
AIR SEAL
WALL ANGLE
+ PEDESTALS
(NO LOAD ON WALL)



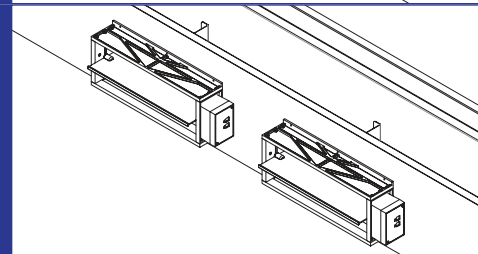
15° INWARD
(RECOMMENDED)



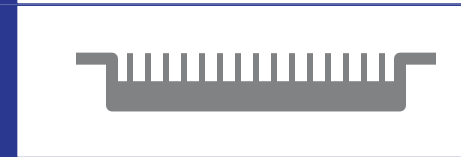
AIRWAY COOLING + HOT WATER HEATING



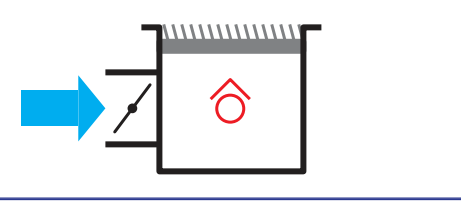
AIR VALVES
(MODULATED / TIME MODULATED)



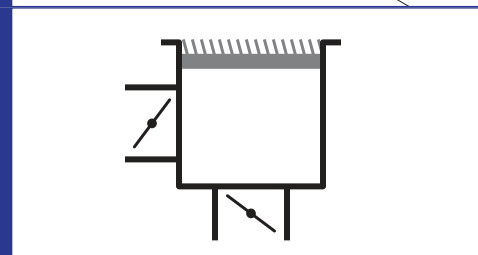
0° HIGH THROW



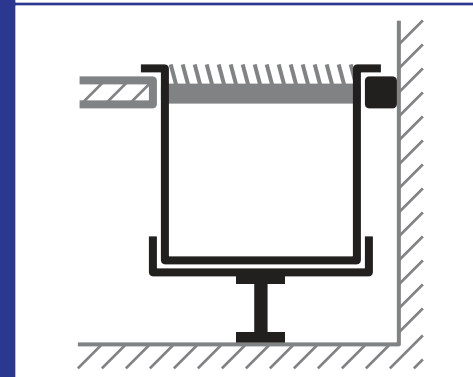
AIRWAY COOLING + ELECTRIC HEATING



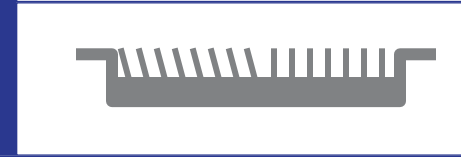
AIR VALVES
(FRONT + BOTTOM MOUNTING)



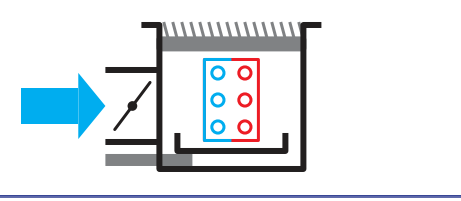
GASKET
+ PEDESTALS



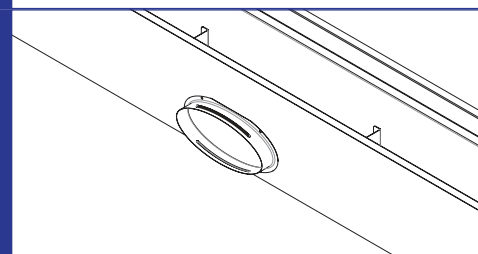
15° + 0°
COMBINATION



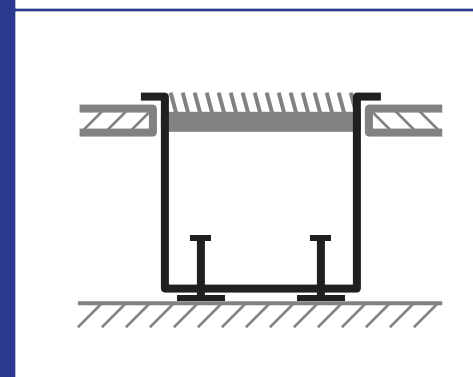
AIRWAY + CHILLED WATER COOLING / HOT WATER HEATING



DUCTED
(ROUND / ELIPSOID / RECTANGULAR)



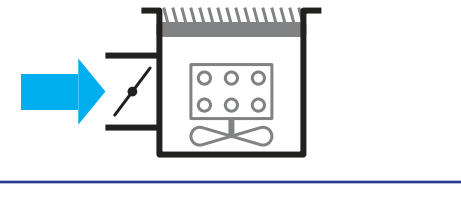
LOW HEIGHT
(SCREW FOOT)



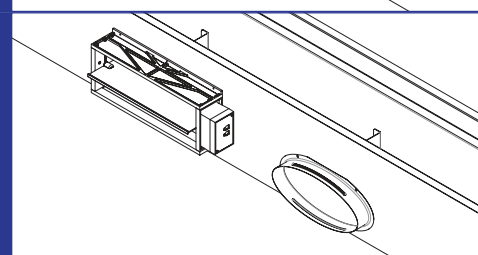
FLANGELESS



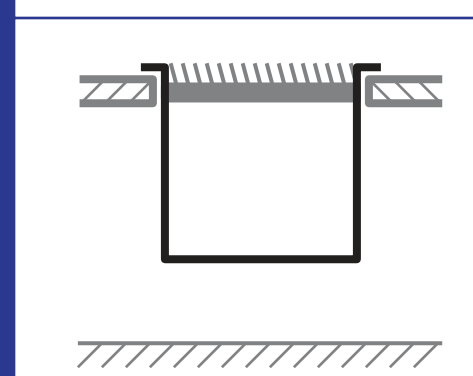
AIRWAY + HEAT / COOL FAN BOOST



DUCTED + AIR VALVE



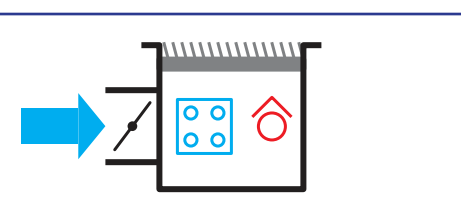
HANGING FROM
RAISED FLOOR
(NOT RECOMMENDED)



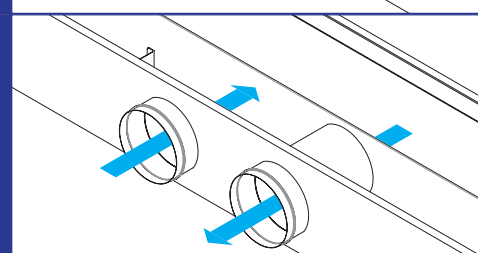
4-SIDED
FLANGE



AIRWAY + CHILLED WATER COOLING + ELECTRIC HEATING



DUCTED SUPPLY & RETURN



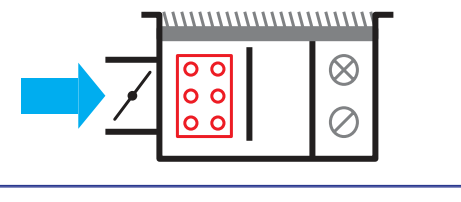
2-SIDED
FLANGE
(CONTINUOUS)



3-SIDED
FLANGE
(LEFT END)



ADD PIPE CHASE



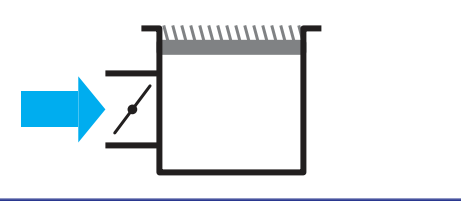
MATERIALS

- Aluminum
- Stainless Steel

FINISHES
(ALUMINUM)

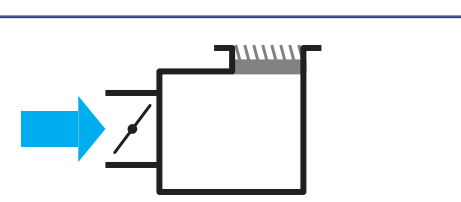
- Anodized
- Paint
- Mill Finish

WIDE GRILLE
(LOW-FLOW FOR Ve:1.2)



CUSTOM SIZES AVAILABLE FOR TROUGHS AND LINEAR GRILLES

NARROW GRILLE
(ARCHITECTURAL AESTHETICS)



LINEAR TROUGH GUIDE

