

Underfloor Air Terminal (Constant Volume)

MODEL:

MIT3 - AN

DESCRIPTION:

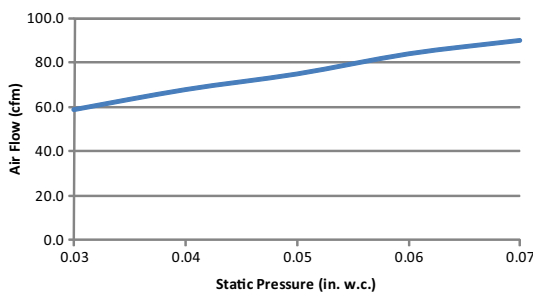
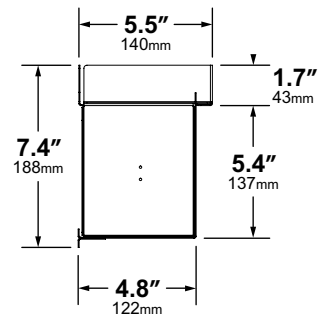
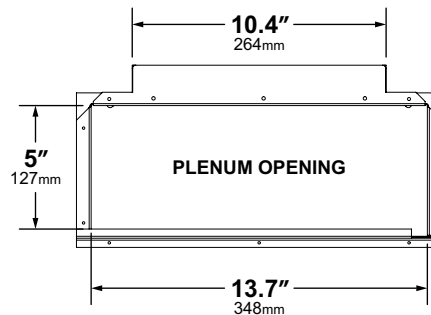
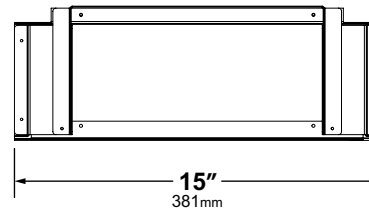
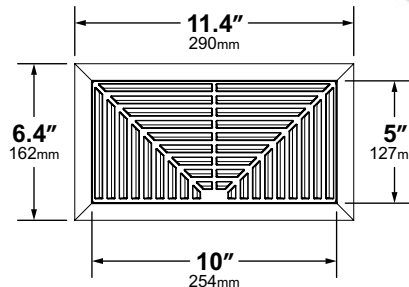
MIT3-AN (Modular Integrated Terminal) is a constant volume diffuser for use in raised floor air systems. The underfloor terminal features 20 gauge (1mm) galvanized steel construction, pre-painted flat black. A 13.7" x 5" (348mm x 127mm) opening permits air flow from the underfloor plenum.

The nominal 10" x 5" (254mm x 127mm) cast aluminum diffuser grille includes a removable insert, which can be reversed to change air throw direction. Ten (10) standard colors are available; custom colors and finishes can be provided to match architectural design (specify on order).



FEATURES:

- Narrow design for limited space and minimal aesthetic applications
- Robust cast aluminum grille frame
- Welded and riveted pre-painted galvanized steel construction
- Adjustable air flow direction via reversible grille insert



ALL DIMENSIONS NOMINAL +/- 0.1" (2.5mm)

SPECIFICATIONS:

Application:	Underfloor Cooling Raised Access Floors 8" (203mm) +
Grille Dimensions:	Diffuser Opening: 10" x 5" (254mm x 127mm) Full Face: 11.4" x 6.4" (290mm x 162mm)
LxW (Nominal)	Installation Cut-Out: 10.5" x 5.5" [+1.125/-0.00] (267mm x 140mm [+3.175/-0.00])
Grille Rating:	Cast Aluminum Conforms to NFPA 90a 1250 lbs. (567 Kg) Load Strength
Supply Press. / Temp.:	0.02–0.1 in. w.c. (5–25 Pa) 40–120°F (4–49°C)
Capacity (Nominal Max):	75 cfm @ 0.05 in. w.c. (128 m ³ /hr @ 12.5 Pa)
Noise Criterion:	≤ NC-17 (All Flow Conditions)