

# Underfloor Air Terminal (Constant Volume)

MODEL: **MIT3 - AR**

**DESCRIPTION:**

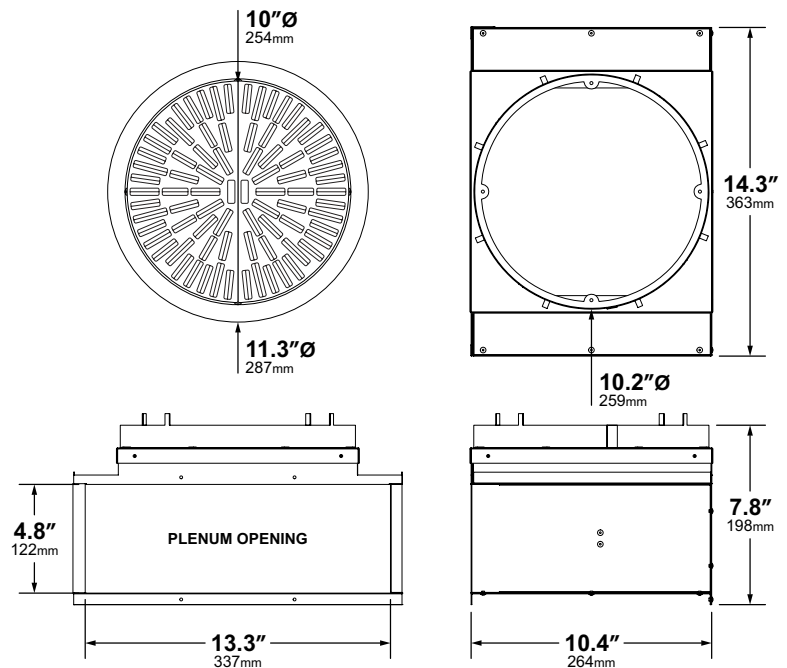
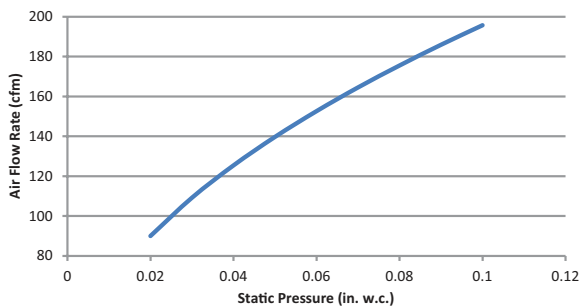
**MIT3-AR (Modular Integrated Terminal)** is a constant volume diffuser for use in raised floor air systems. The underfloor terminal features 20 gauge (1mm) galvanized steel construction, pre-painted flat black. A 13.3" x 4.8" (337mm x 122mm) opening permits air flow from the underfloor plenum.

The nominal 10" (254mm) diameter cast aluminum diffuser grille includes two separate inserts, which can be configured to create alternate air throw patterns. Ten (10) standard colors are available; custom colors and finishes can be provided to match architectural design (specify on order).



**FEATURES:**

- Robust cast aluminum grille frame
- Welded and riveted pre-painted galvanized steel construction
- Multiple grille configurations for variable air throw patterns



ALL DIMENSIONS NOMINAL +/- 0.1" (2.5mm)

**SPECIFICATIONS:**

<b>Application:</b>	Underfloor Cooling   Raised Access Floors 8" (203mm) +
<b>Grille Dimensions:</b>	Diffuser Opening: 10"Ø (254mm)   Full Face: 11.3"Ø (287mm)
<b>LxW (Nominal)</b>	Installation Cut-Out: 10.25"Ø [+1.125/-0.00] (260mm [+3.175/-0.00])
<b>Grille Rating:</b>	Cast Aluminum   Conforms to NFPA 90a   1250 lbs. (567 Kg) Load Strength
<b>Supply Press. / Temp.:</b>	0.02–0.1 in. w.c. (5–25 Pa)   40–120°F (4–49°C)
<b>Capacity (Nominal):</b>	130 cfm @ 0.05 in. w.c. (221 m³/hr @ 12.5 Pa)
<b>Noise Criterion:</b>	≤ NC-17 (All Flow Conditions)