

# Underfloor Air Terminal (Constant Volume)

MODEL: **MIT3 - AS**

**DESCRIPTION:**

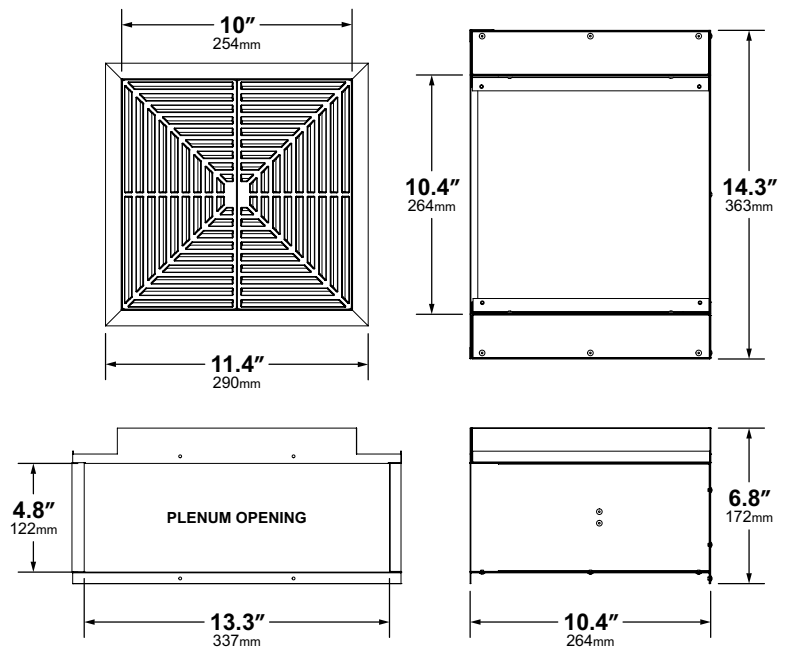
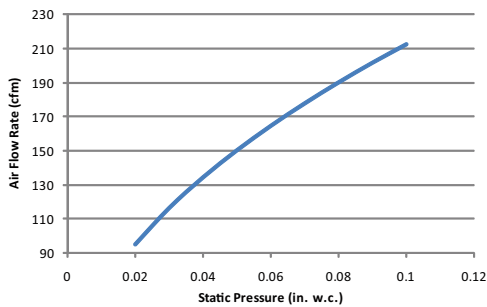
**MIT3-AS (Modular Integrated Terminal)** is a constant volume diffuser for use in raised floor air systems. The underfloor terminal features 20 gauge (1mm) galvanized steel construction, pre-painted flat black. A 13.3" x 4.8" (337mm x 122mm) opening permits air flow from the underfloor plenum.

The nominal 10" x 10" (254mm x 254mm) cast aluminum diffuser grille includes two separate inserts, which can be configured to create alternate air throw patterns. Ten (10) standard colors are available; custom colors and finishes can be provided to match architectural design (specify on order).



**FEATURES:**

- Robust cast aluminum grille frame
- Welded and riveted pre-painted galvanized steel construction
- Multiple grille configurations for variable air throw patterns



ALL DIMENSIONS NOMINAL +/- 0.1" (2.5mm)

**SPECIFICATIONS:**

<b>Application:</b>	Underfloor Cooling   Raised Access Floors 8" (203mm) +
<b>Grille Dimensions:</b>	Diffuser Opening: 10" x 10" (254mm x 254mm)   Full Face: 11.4" x 11.4" (290mm x 290mm)
<b>LxW (Nominal)</b>	Installation Cut-Out: 10.5" x 10.5" [+0.125/-0.00] (267mm x 267mm [+3.175/-0.00])
<b>Grille Rating:</b>	Cast Aluminum   Conforms to NFPA 90a   1250 lbs. (567 Kg) Load Strength
<b>Supply Press. / Temp.:</b>	0.02–0.1 in. w.c. (5–25 Pa)   40–120°F (4–49°C)
<b>Capacity (Nominal):</b>	150 cfm @ 0.05 in. w.c. (255 m <sup>3</sup> /hr @ 12.5 Pa)
<b>Noise Criterion:</b>	≤ NC-17 (All Flow Conditions)