

# Underfloor Air Terminal (Variable Volume)

MODEL: **MIT3 - CS**

## DESCRIPTION:

**MIT3-CS (Modular Integrated Terminal)** is a variable volume diffuser for use in raised floor air systems. The underfloor terminal features 20 gauge (1mm) galvanized steel construction, pre-painted flat black.

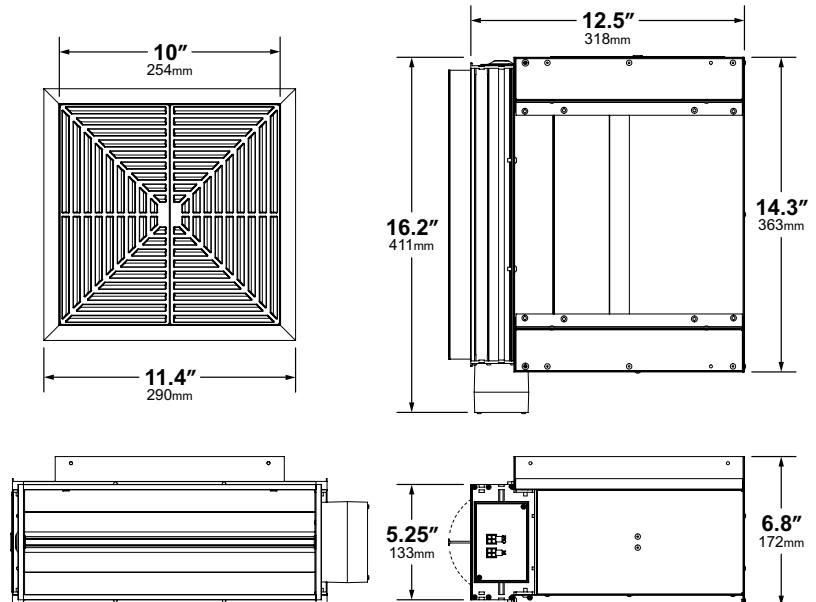
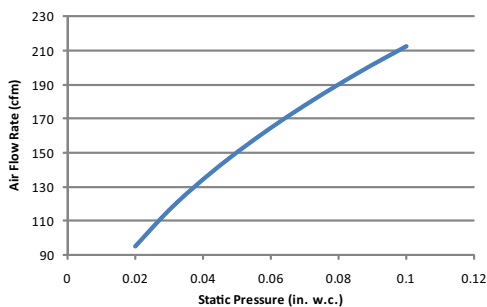
The air valve uses time modulation to vary total air supplied to a conditioned space. Air velocity is constant any time the valve is open; the short time duration between open/close cycles produces the effect of continuous air delivered to the occupied space. It is rated for 24V (18-30VAC) operation; one (1) PAP-1 Plug & Play Cable is included.

The nominal 10" x 10" (254mm x 254mm) cast aluminum diffuser grille includes two separate inserts, which can be configured to create alternate air throw patterns. Ten (10) standard colors are available; custom colors and finishes can be provided to match architectural design (specify on order).



## FEATURES:

- Robust cast aluminum grille frame
- DC synchronized magnetic motor
- Riveted pre-painted galvanized steel
- Multi-function circuit board for varying control strategies



ALL DIMENSIONS NOMINAL +/- 0.1" (2.5mm)

## SPECIFICATIONS:

<b>Application:</b>	Underfloor Cooling   Raised Access Floors 8" (203mm) +
<b>Grille Dimensions:</b>	Diffuser Opening: 10" x 10" (254mm x 254mm)   Full Face: 11.4" x 11.4" (290mm x 290mm)
<b>LxW (Nominal)</b>	Installation Cut-Out: 10.5" x 10.5" [+0.125/-0.00] (267mm x 267mm [+0.3175/-0.00])
<b>Grille Rating:</b>	Cast Aluminum   Conforms to NFPA 90a   1250 lbs. (567 Kg) Load Strength
<b>Supply Press. / Temp.:</b>	0.02–0.1 in. w.c. (5–25 Pa)   40–120°F (4–49°C)
<b>Capacity (Nominal):</b>	150 cfm @ 0.05 in. w.c. (255 m <sup>3</sup> /hr @ 12.5 Pa)
<b>Noise Criterion:</b>	≤ NC-17 (All Flow Conditions)