

Underfloor Air Terminal (Constant Volume Ducted)

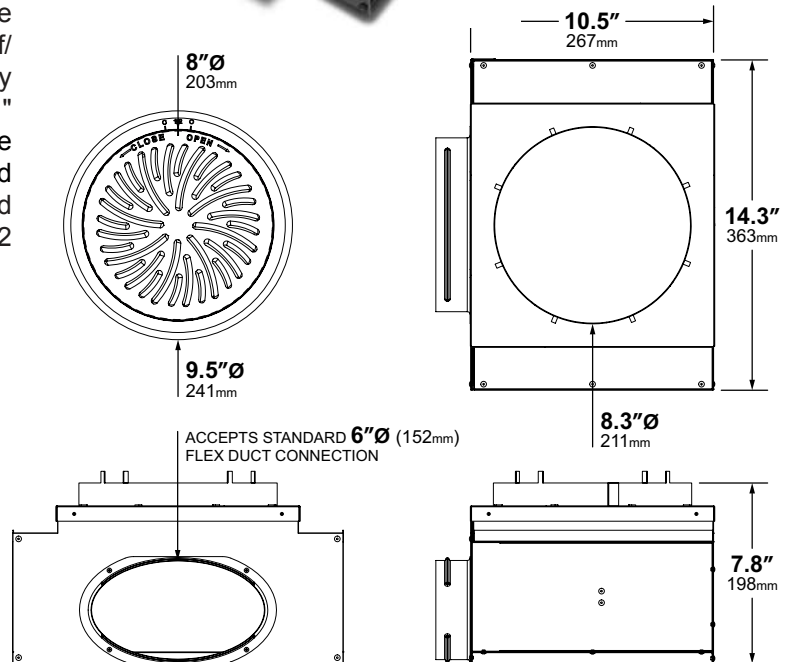
MODEL: PCDP - 08R - B

DESCRIPTION:

PCDP-08R-B (Personal Comfort Diffuser) is a ducted constant volume diffuser for use in raised floor air systems. The underfloor terminal features 20 gauge (1mm) galvanized steel construction, pre-painted flat black.

The ellipsoid collar accepts a standard 6"Ø (152mm) flex duct connection. Air flow capacity is derived from the source; output is dependent on ducting arrangement and fan capability.

The nominal 8" (203mm) diameter diffuser grille features Lexan™ 940 polycarbonate, fire rated UL-94-V0 polyamide construction, with a tensile stress rating (yld) of 630 kgf/cm² according to ASTM D 638. The rated load capacity of 1275 lbs. (578 Kg) is based on load applied to a 1" (25mm) square. The diffuser grille produces 360 degree omni-directional mixing air flow, and can be easily rotated to adjust air flow volume. Supply air throw will not exceed 4.5' (1.4m) at 50 ft/min (0.25 m/s) to maintain a V_E of 1.2 according to ASHRAE 62.1.



FEATURES:

- Manual air flow adjustment via rotating diffuser grille
- Accepts standard 6"Ø (152mm) flex duct connection
- 360° omni-directional mixing air flow
- Durability (as strong as the floor)
- Nonbinding flow adjustment
- Tight shut-off

AVAILABLE OPTIONS:

- Custom diffuser colors (specify on order)
- MIN / MAX stops

ALL DIMENSIONS NOMINAL +/- 0.1" (2.5mm)

SPECIFICATIONS:

Application:	Underfloor Heating / Cooling Raised Access Floors 8" (203mm) +
Grille Dimensions:	Diffuser Opening: 8"Ø (203mm) Full Face: 9.5"Ø (241mm)
Diameter (Nominal)	Installation Cut-Out: 8.4375"Ø [+1.125/-0.00] (214mm [+3.175/-0.00])
Grille Rating:	Polyamide Polycarbonate Conforms to NFPA 90a 1275 lbs. (578 Kg) Load Strength
Supply Press. / Temp.:	0.02–0.1 in. w.c. (5–25 Pa) 40–110°F (4–43°C)
Capacity:	Maximum: 77 cfm @ 0.05 in. w.c. (131 m ³ /hr @ 12.5 Pa)
(Nominal)	Minimum (Damper Closed): 7 cfm @ 0.05 in. w.c. (12 m ³ /hr @ 12.5 Pa)
	Air Flow Dependant on Duct Supply Conditions Duct Connection: 6"Ø (152mm)
Noise Criterion:	≤ NC-17 (All Flow Conditions)