

Underfloor Air Terminal (Constant Volume)

MODEL: PDD - 08R

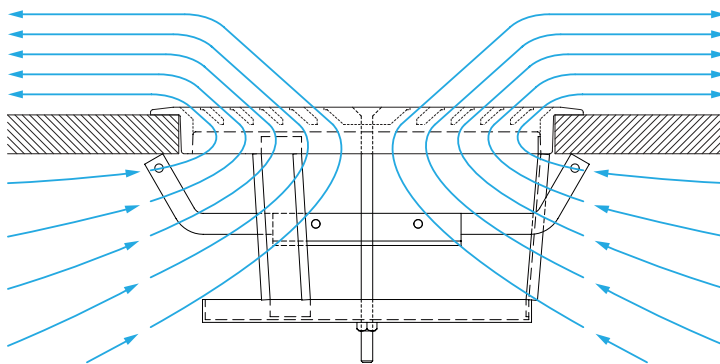
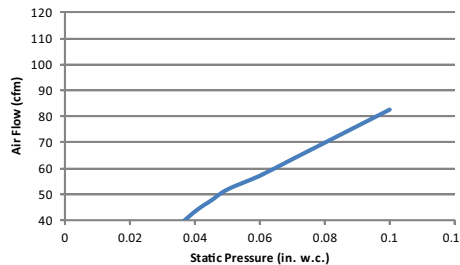
DESCRIPTION:

PDD-08R (Personal Displacement Diffuser) is an adjustable constant volume air terminal for use in raised floor air systems. It features an 18 gauge (1.3mm) galvanized steel catch pan assembly, with all interior features pre-painted flat black.

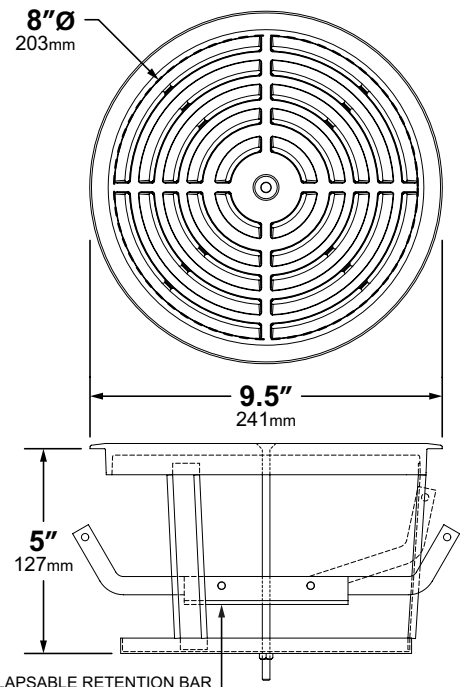
The nominal 8" (203mm) diameter cast aluminum grille produces 360 degree omni-directional displacement air flow. A manually adjustable sliding damper allows space occupants to limit maximum air flow. Ten (10) standard grille colors are available; custom colors and finishes can be provided to match architectural design (specify on order).

FEATURES:

- Substantially horizontal omni-directional displacement air flow
- Durability (as strong as the floor)
- Manual air flow adjustment with sliding damper plate
- Tight shut-off



AIR FLOW: Substantially all air flow is directed horizontally. Air discharge pattern is designed so that velocity will decay below 40 fpm within a radius of 2' (0.6m) around the diffuser, delivering true displacement air distribution.



ALL DIMENSIONS NOMINAL +/- 0.1" (2.5mm)

SPECIFICATIONS:

Application:	Underfloor Cooling Raised Access Floors 8" (203mm) +
Grille Dimensions:	Diffuser Opening: 8"Ø (203mm) Full Face: 9.5"Ø (241mm)
Diameter (Nominal)	Installation Cut-Out: 8.3125"Ø [+1.125/-0.00] (211mm [+3.175/-0.00])
Grille Rating:	Cast Aluminum Conforms to NFPA 90a 1250 lbs. (567 Kg) Load Strength
Supply Press. / Temp.:	0.02–0.1 in. w.c. (5–25 Pa) 40–140°F (4–60°C)
Capacity:	Maximum: 52 cfm @ 0.05 in. w.c. (88 m³/hr @ 12.5 Pa)
(Nominal)	Minimum (Damper Closed): 7 cfm @ 0.05 in. w.c. (12 m³/hr @ 12.5 Pa)
Noise Criterion:	≤ NC-17 (All Flow Conditions)