

# Underfloor Air Tile (Variable Volume)

**MODEL: AV3 - TA - CN**

**DESCRIPTION:**

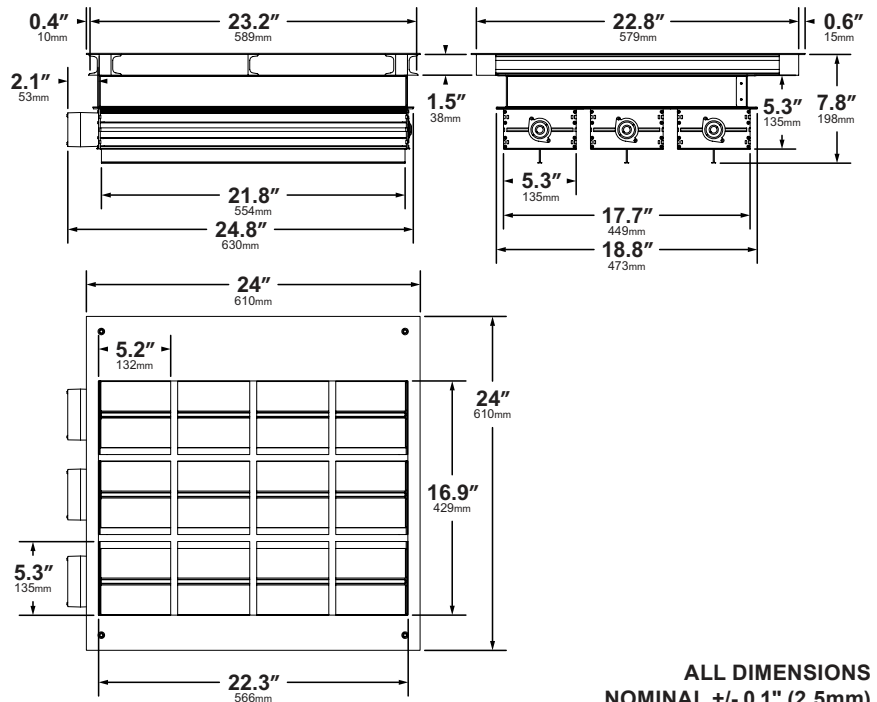
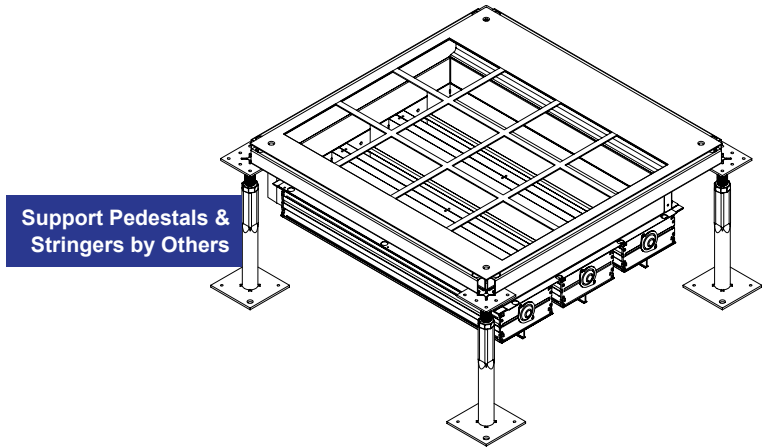
**AV3-TA-CN (Triple Air Valve Tile Assembly)** is a variable volume air terminal for use in raised floor air systems. It features 14 gauge (2mm) galvanized steel construction, powder-coated black.

The air valves use time modulation to vary total air supplied to a conditioned space. Air velocity is constant any time the valves are open; the short time duration between open/close cycles produces the effect of continuous air delivered to the occupied space. It is rated for 24V (18-30VAC) operation; one (1) PAP-1 and one (1) PAP-1J Plug & Play Cable are included.

The AV3-TA-CN is designed to replace a standard 24" x 24" (610mm x 610mm) raised access floor tile underneath a gaming table / machine in a casino installation.

**FEATURES:**

- Eliminates need to cut or modify existing raised access floor tiles
- Welded pre-painted galvanized steel
- DC synchronized magnetic motor
- Multi-function circuit board for varying control strategies



**SPECIFICATIONS:**

<b>Application:</b>	Underfloor Cooling   Raised Access Floors 8" (203mm) + Casino Installation (Underneath Gaming Machines)
<b>Dimensions:</b> LxWxH (Nominal)	24" x 24" x 6.8" (610mm x 610mm x 173mm)
<b>Supply Press. / Temp.:</b>	0.02–0.1 in. w.c. (5–25 Pa)   40–120°F (4–49°C)
<b>Capacity (Nominal):</b>	780 cfm @ 0.05 in. w.c. (1326 m³/hr @ 12.5 Pa)
<b>Noise Criterion:</b>	≤ NC-17 (All Flow Conditions)