



Underfloor Air Distribution Linear Terminal

MODEL: **CLWMIT**

DESCRIPTION:

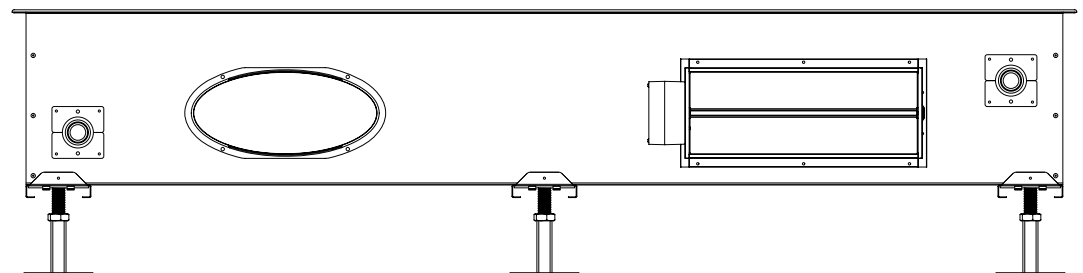
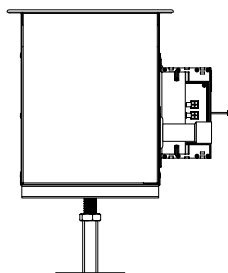
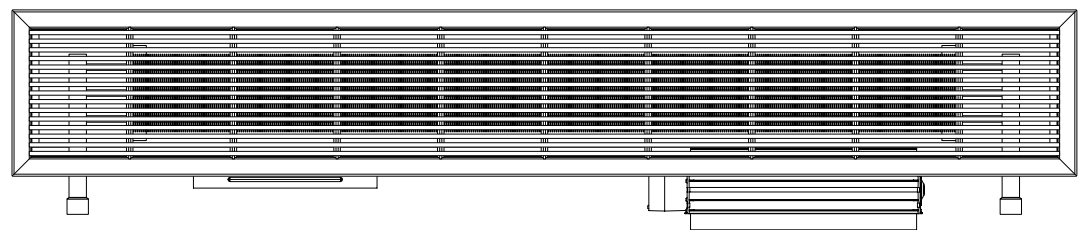
CLWMIT (Continuous Linear Water Modular Integrated Terminal) is a hydronic heating / air cooling linear diffuser package, for use in raised access floor systems. The underfloor terminal features 20 gauge (1mm) galvanized steel construction, pre-painted flat black.

The hydronic fin pack has been rated in accordance with AHRI Standard 410; rows are 1/2"Ø (13mm) copper tubing with 1"Ø (25mm) supply and return connections. Aluminum fin size and spacing, as well as overall finned length vary based on overall terminal dimensions and performance specification. Associated water control valve is field furnished and installed by others.

Optional air valves use time modulation to vary total air supplied to a conditioned space. Air velocity is constant any time the valve is open; the short time duration between open/close cycles produces the effect of continuous air delivered to the occupied space. They are rated for 24V (18-30VAC) operation; one (1) PAP-1 Plug & Play Cable is included per air valve. Optional extended high performance air valves are available (specify on order).

Optional duct connections are available in multiple sizes and configurations. Ducted air flow capacity is derived from the source; output is dependent on ducting arrangement and fan capability.

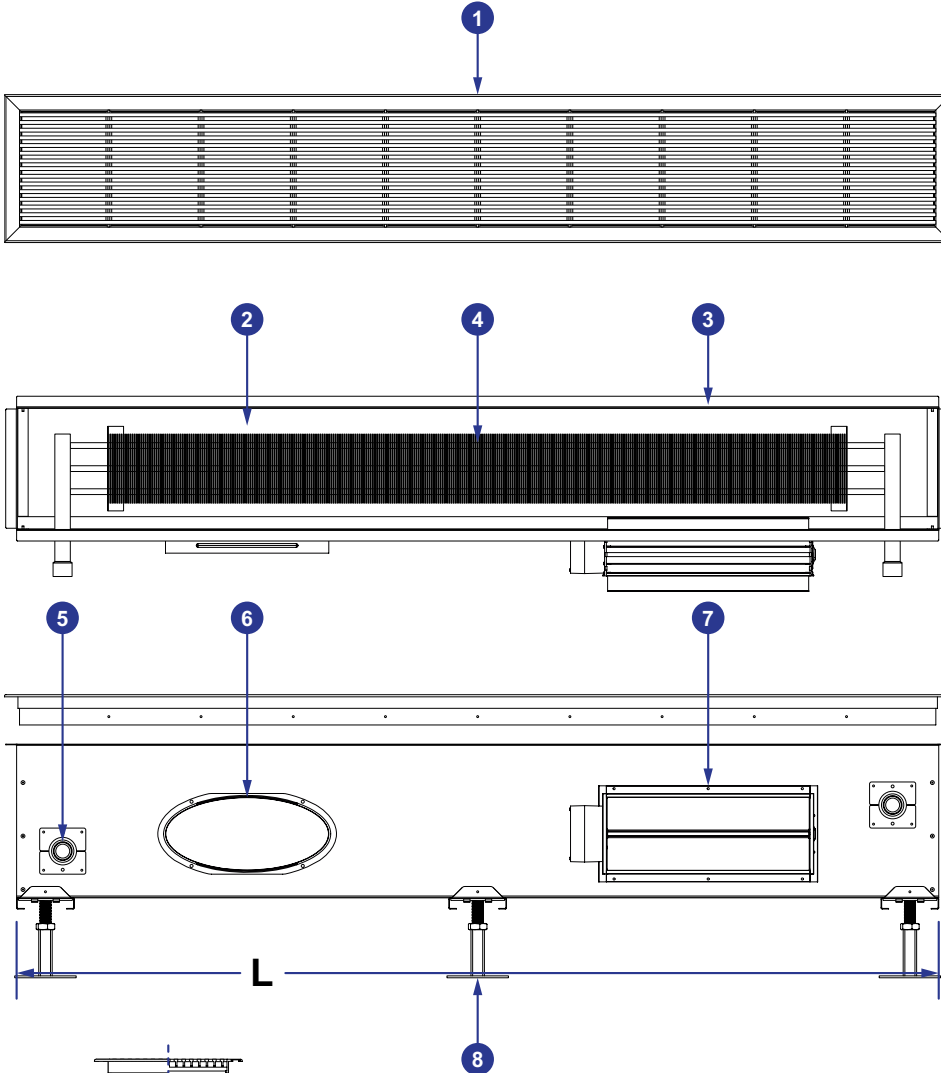
The linear grille is available as extruded aluminum or stainless steel, in a variety of sizes and configurations. Ten (10) standard colors are available; custom colors and finishes can be provided to match architectural design (specify on order).



Underfloor Air Distribution Linear Terminal

MODEL: CLWMIT

UNIT DETAIL:



1. Linear grille
(optional extruded aluminum or stainless steel; specify on order)
2. 20 gauge (1mm) galvanized steel casing, pre-painted black
3. 3/4" (19mm) support flanges
(optional; specify on order)
4. Hydronic heating fin pack
5. 1"Ø (25mm) water supply / return connections
6. Duct connections
(optional; specify on order)
7. VAV air valves
(optional; specify on order)
8. Support pedestals / brackets on nominal 36" (914mm) centers
(optional; specify on order)

L	STANDARD LENGTH OPTIONS								
in	24	36	48	60	72	84	96	108	120
mm	610	914	1219	1524	1829	2134	2438	2743	3048

W	STANDARD WIDTH OPTIONS				H	STANDARD HEIGHT OPTIONS			
in	6	8	10	12	in	6	8	10	12
mm	152	203	254	305	mm	152	203	254	305

ALL DIMENSIONS NOMINAL ± 0.1" (2.5mm)



Underfloor Air Distribution Linear Terminal

MODEL: **CLWMIT**

FEATURES:

- 20 Gauge (1mm) galvanized steel terminal housing, pre-painted flat black
- Optional terminal dimensions available (specify on order)
- Multiple grille configurations available
 - Extruded aluminum / stainless steel (304 / 316 Series)
 - Ten (10) standard colors; additional colors and finishes available at architect's choice (specify on order)
- Optional air valves (maximum size / number of air valves based on unit length)
 - DC synchronized magnetic motor
 - Factory programmed multi-function circuit board for varying control strategies
 - Modular Plug & Play power and control connections
- Optional duct connections (size, shape, quantity)
- Optional support pedestals / brackets (brackets factory mounted; pedestals furnished loose for field installation)
- Optional 3/4" (19mm) support flanges
- Hydronic fin pack (performance rated in accordance with AHRI Standard 410)
 - Variable finned length (based on terminal length and performance specification)
 - 1/2"Ø (13mm) copper rows
 - 1"Ø (25mm) supply / return connections
- "Heating-Only" option available

SPECIFICATIONS:

- Application:** Underfloor Heating / Cooling | Raised Access Floor Systems
- Terminal Dimensions:** Specify on Order
- Terminal Construction:** Galvanized Steel | 20 Gauge (1mm) | Pre-Painted Black
- Grille Configuration:** Extruded Aluminum | 304 / 316 Series Stainless Steel (Specify On Order)
- Standard Capacity:** 13" (330mm) Standard air Valve | 150 cfm @ 0.05 in. w.c. (255 m³/hr @ 12.5 Pa)
- Air Flow (Nominal)** OPTIONAL: 2 Air Valves = 300 cfm (510 m³/hr) | Minimum Trough Size: 4' (1.2m)
3 Air Valves = 450 cfm (765 m³/hr) | Minimum Trough Size: 6' (1.8m)
4 Air Valves = 600 cfm (1020 m³/hr) | Minimum Trough Size: 7' (2.1m)
5 Air Valves = 750 cfm (1275 m³/hr) | Minimum Trough Size: 8' (2.4m)
- High Capacity:** 22" (559mm) Extended Air Valve | 300 cfm @ 0.05 in. w.c. (510 m³/hr @ 12.5 Pa)
- Air Flow (Nominal)** OPTIONAL: 2 Air Valves = 600 cfm (1020 m³/hr) | Minimum Trough Size: 6' (1.8m)
3 Air Valves = 900 cfm (1530 m³/hr) | Minimum Trough Size: 8' (2.4m)
4 Air Valves = 1200 cfm (2040 m³/hr) | Minimum Trough Size: 10' (3.0m)



Underfloor Air Distribution Linear Terminal

MODEL:

CLWMIT

CLW - 06 - 024 - 06 - 00 - 1R - 1 V S

PRODUCT DESCRIPTION
Continuous
Linear
Water Heating

TERMINAL WIDTH
06 = 6" (152mm)
08 = 8" (203mm)
10 = 10" (254mm)
12 = 12" (305mm)

TERMINAL LENGTH
024 = 24" (610mm)
036 = 36" (914mm)
048 = 48" (1219mm)
060 = 60" (1524mm)
072 = 72" (1829mm)
084 = 84" (2134mm)
096 = 96" (2438mm)
108 = 108" (2743mm)
120 = 120" (3048mm)

TERMINAL HEIGHT
06 = 6" (152mm)
08 = 8" (203mm)
10 = 10" (254mm)
12 = 12" (305mm)

TERMINAL FLANGE CONFIGURATION
00 = Fully Flangeless
20 = Two (2) Flanges (Sides Only)
3L = Three (3) Flanges (Sides + Left End)
3R = Three (3) Flanges (Sides + Right End)
40 = Four (4) Flanges (All Sides + Ends)

HEATING OPTIONS
1R = One (1) Row Hydronic Fin Pack
3R = Three (3) Row Hydronic Fin Pack
5R = Five (5) Row Hydronic Fin Pack

OPENING DIMENSION
Air Valve (Length)
S = Standard Capacity (13")
L = High Capacity (22")
Duct Connection (Ellipsoid / Round Diameter) (Rectangle Height)
A = 4"
B = 5"
C = 6"
D = 7"
E = 8"
F = 9"
G = 10"
H = 11"
I = 12"

OPENING DESCRIPTION
V = VAV Air Valve
Duct Connection
L = Ellipsoid
R = Round
Duct Connection (Rectangle Width)
A = 4"
B = 5"
C = 6"
D = 7"
E = 8"
F = 9"
G = 10"
H = 11"
I = 12"

AIR FLOW OPENINGS
1 = One (1) Opening
2 = Two (2) Openings
3 = Three (3) Openings
4 = Four (4) Openings
5 = Five (5) Openings