

# Underfloor Air Terminal (Variable Volume Ducted)

**MODEL: LMIT3 - GL**

**DESCRIPTION:**

**LMIT3-GL (Linear Modular Integrated Terminal)** is a variable volume diffuser for use in raised floor air systems. The underfloor terminal features 24 gauge (0.7mm) galvanized steel construction, pre-painted flat black.

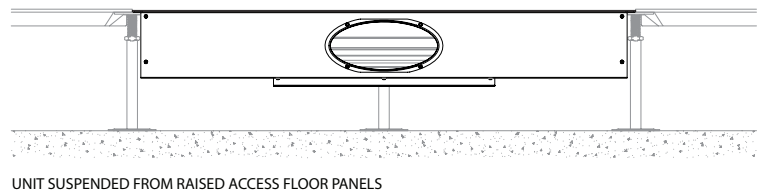
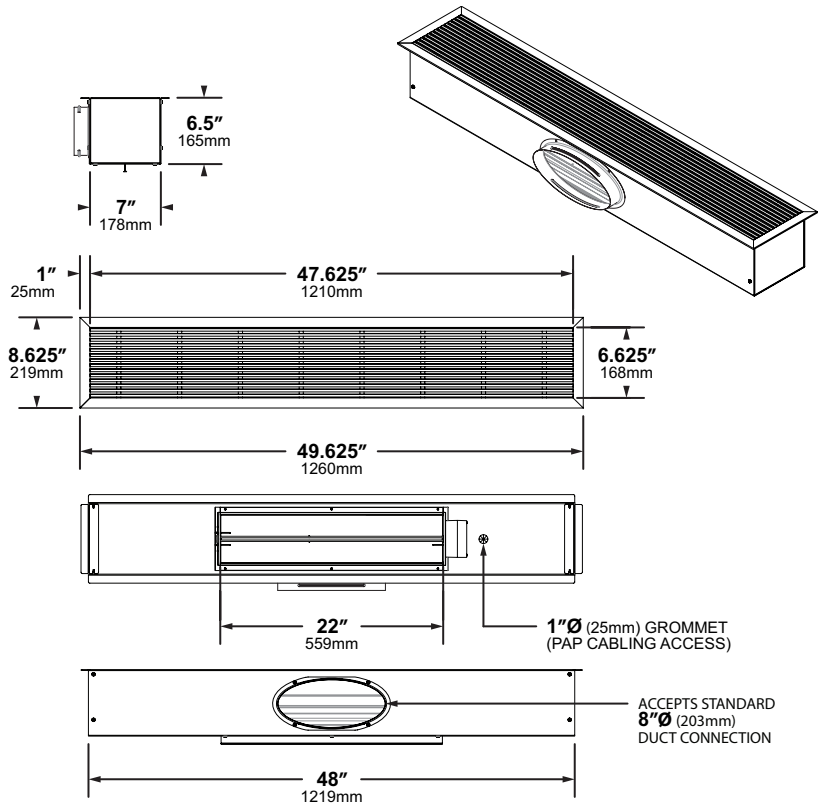
The air valve uses time modulation to vary total air supplied to a conditioned space. Air velocity is constant any time the valve is open; the short time duration between open/close cycles produces the effect of continuous air delivered to the occupied space. It is rated for 24V (18-30VAC) operation; one (1) PAP-1 Plug & Play Cable is included.

The ellipsoid collar accepts a standard 8"Ø (203mm) flex duct connection. Air flow capacity is derived from the source; output is dependent on ducting arrangement and fan capability.

The nominal 48" x 7" (1219mm x 178mm) extruded aluminum grille includes a 1" (25mm) flange on all sides, and produces mixing air flow at a 15° deflection. Ten (10) standard grille colors are available; custom colors and finishes can be provided to match architectural design (specify on order).

**FEATURES:**

- Drop-in installation from above the raised access floor
- Riveted pre-painted galvanized steel
- DC synchronized magnetic motor
- Multi-function circuit board for varying control strategies



**ALL DIMENSIONS NOMINAL +/- 0.1" (2.5mm)**

**SPECIFICATIONS:**

<b>Application:</b>	Underfloor Heating / Cooling   Raised Access Floors 8" (203mm) +
<b>Dimensions:</b>	48" x 7" x 6.5" (1219mm x 178mm x 165mm)
<b>LxWxH (Nominal)</b>	Floor Tile Cut-Out: 48.25" x 7.25" [+1.125/-0.00] (1226mm x 184mm [+3.175/-0.00])
<b>Grille Rating:</b>	Extruded Aluminum   Conforms to NFPA 90a   1250 lbs. (567 Kg) Load Strength
<b>Supply Press. / Temp.:</b>	0.02–0.1 in. w.c. (5–25 Pa)   40–110°F (4–43°C)
<b>Capacity (Nominal Max):</b>	340 cfm @ 0.05 in. w.c. (578 m <sup>3</sup> /hr @ 12.5 Pa)
	Ducted Air Flow Dependant on Supply Conditions   Flex Duct Connection: 8"Ø (203mm)
<b>Noise Criterion:</b>	≤ NC-17 (All Flow Conditions)