

Underfloor Air Terminal (Constant Volume)

MODEL: PCD - 10S - B

DESCRIPTION:

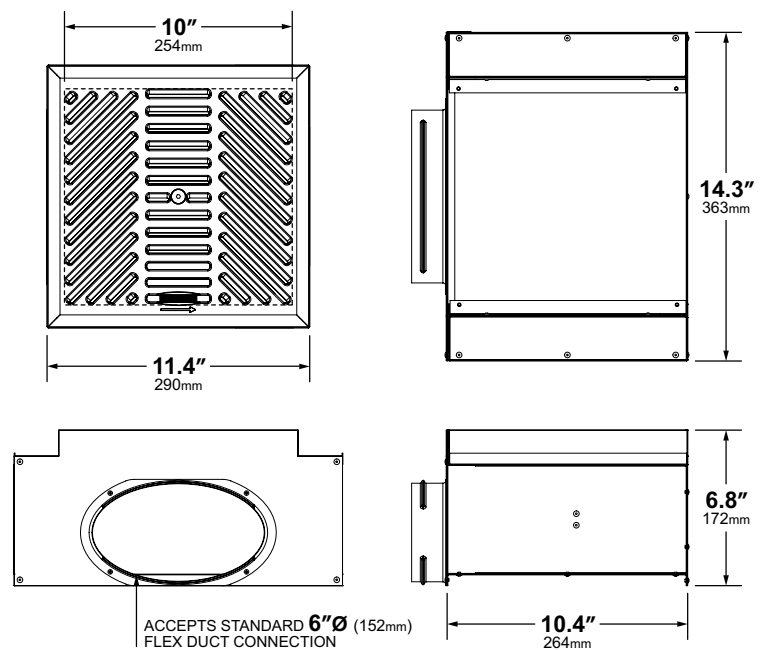
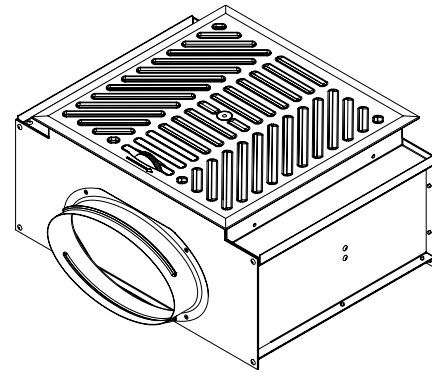
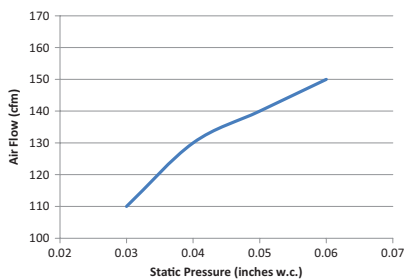
PCD-10S-B (Personal Comfort Diffuser) is a constant volume diffuser for use in raised floor air systems. The underfloor terminal features 20 gauge (1mm) galvanized steel construction, pre-painted flat black.

The ellipsoid collar accepts a standard 6"Ø (152mm) flex duct connection. Air flow capacity is derived from the source; output is dependent on ducting arrangement and fan capability.

The nominal 10" x 10" (254mm x 254mm) cast aluminum diffuser grille produces 180 degree uni-directional mixing air flow. A manually adjustable sliding damper allows space occupants to limit maximum air flow. Ten (10) standard colors are available; custom colors and finishes can be provided to match architectural design (specify on order).

FEATURES:

- Accepts standard 6"Ø (152mm) flex duct connection
- Welded pre-painted galvanized steel construction
- Manual air flow adjustment with sliding damper
- Directional air flow; reorient diffuser as needed to suit local occupant needs



ALL DIMENSIONS NOMINAL +/- 0.1" (2.5mm)

SPECIFICATIONS:

Application:	Underfloor Heating / Cooling Raised Access Floors 8" (203mm) +
Grille Dimension: LxW (Nominal)	Diffuser Opening: 10" x 10" (254mm x 254mm) Full Face: 11.4" x 11.4" (290mm x 290mm) Installation Cut-Out: 10.5" x 10.5" [+1.125/-0.00] (267mm x 267mm [+3.175/-0.00])
Grille Rating:	Cast Aluminum Conforms to NFPA 90a 1250 lbs. (567 Kg) Load Strength
Supply Press. / Temp.:	0.02–0.1 in. w.c. (5–25 Pa) 40–110°F (4–43°C)
Capacity: (Nominal)	Maximum: 140 cfm @ 0.05 in. w.c. (238 m³/hr @ 12.5 Pa) Minimum (Damper Closed): 20 cfm @ 0.05 in. w.c. (34 m³/hr @ 12.5 Pa) Air Flow Dependant on Duct Supply Conditions Flex Duct Connection: 6"Ø (152mm)
Noise Criterion:	≤ NC-17 (All Flow Conditions)